



PRODUCT SPECIFICATIONS

Base Rollout with Basket Pullout

MODEL
BPO6FH

Base Rollout with Tray Pullout

MODEL
BPO9FHL
BPO9FHR
BPO12FHL
BPO12FHR

The L/R determines the side of the cabinet that the pullout is mounted.

Full Height One Door Bases

MODEL
BT9FH
B12FH
B15FH
B18FH
B21FH
B24SFH

Full Height Two Door Bases

MODEL
B24FH
B27FH
B30FH
B33FH
B36FH
B42FH

PRODUCT SPECIFICATIONS

One Door One Drawer Bases

12, 15, 18, 21, 24S

30 1/4

4 1/2

24

MODEL
B12
B15
B18
B21
B24S

Two Door One Drawer Bases

24, 27, 30, 33, 36

30 1/4

4 1/2

24

MODEL
B24
B27
B30
B33
B36

Two Drawer Bases

12, 15, 18, 21, 24
27, 30, 33, 36, 42

30 1/4

4 1/2

24

MODEL
2DB12
2DB15
2DB18
2DB21
2DB24
2DB27
2DB30
2DB33
2DB36
2DB42

Two Drawer Bases with One Inner Drawer

12, 15, 18, 21,
24, 27, 30, 33, 36

30 1/4

4 1/2

24

MODEL
2DBID12
2DBID15
2DBID18
2DBID21
2DBID24
2DBID27
2DBID30
2DBID33
2DBID36

PRODUCT SPECIFICATIONS

Two Drawer Bases with Two Inner Drawers

MODEL
2DB2ID12
2DB2ID15
2DB2ID18
2DB2ID21
2DB2ID24
2DB2ID27
2DB2ID30
2DB2ID33
2DB2ID36

Three Drawer Bases

MODEL
3DB12
3DB15
3DB18
3DB21
3DB24
3DB27
3DB30
3DB33
3DB36

Four Drawer Bases

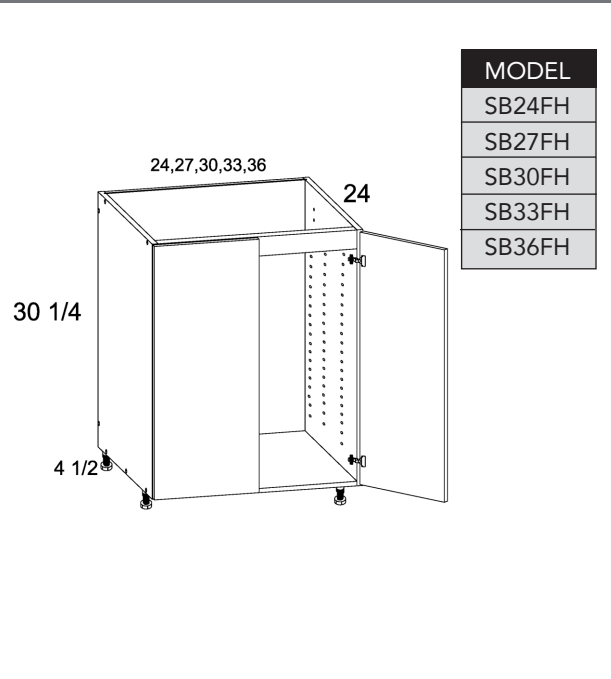
MODEL
4DB12
4DB15
4DB18
4DB21
4DB24
4DB27
4DB30
4DB33
4DB36

Full Height One Door Sink Bases

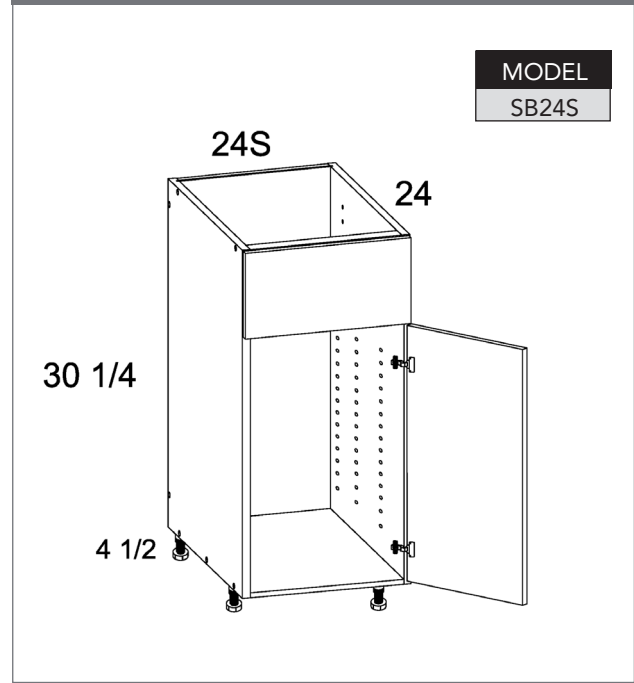
MODEL
SB24SFH

PRODUCT SPECIFICATIONS

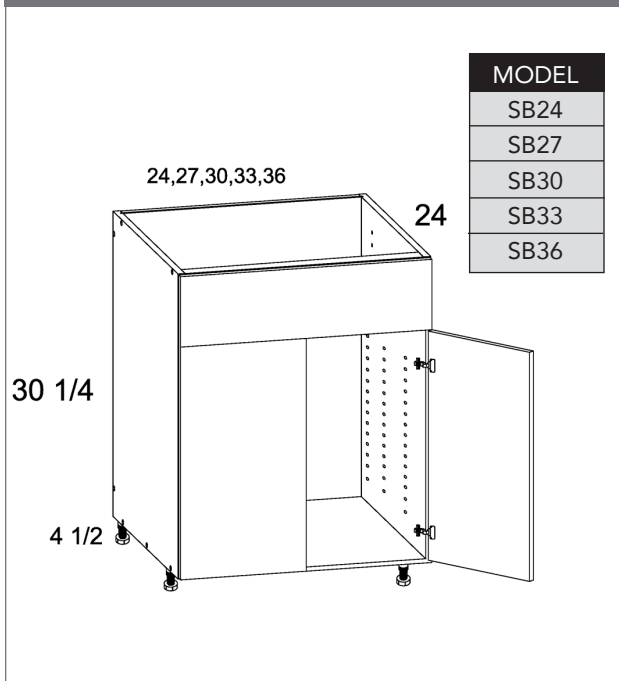
Full Height Two Door Sink Bases



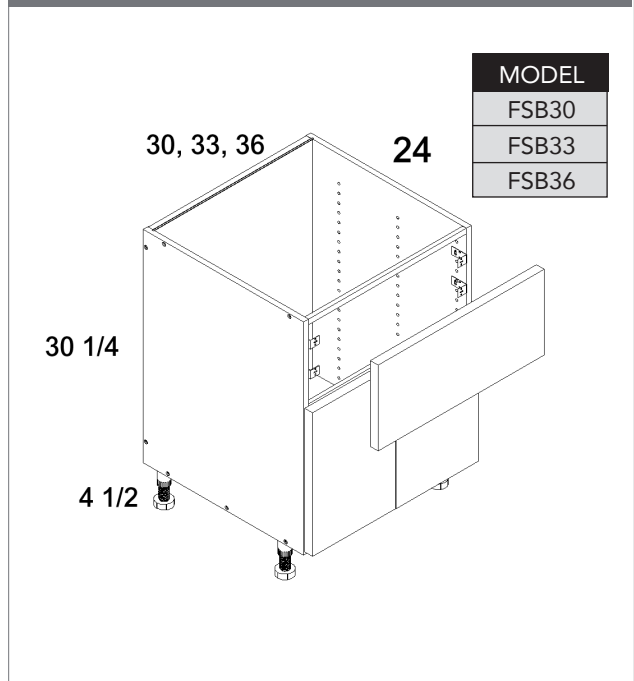
One Door with False Front Sink Bases



Two Door with False Front Sink Bases



Farm Sink Bases



PRODUCT SPECIFICATIONS

Two Drawer Range Bases

MODEL
RB2DB24
RB2DB27
RB2DB30
RB2DB33
RB2DB36

Two Drawer with False Front Range Bases

MODEL
RB3DB24
RB3DB27
RB3DB30
RB3DB33
RB3DB36

Three Drawer with False Front Range Bases

MODEL
RB4DB24
RB4DB27
RB4DB30
RB4DB33
RB4DB36

Full Height One Door Blind Bases

MODEL
BBC37/40FH
BBC40/43FH
BBC43/46FH
BBC46/49FH
BBC49/52SFH

CABINET PULL CHART				
CABINET	MIN.	MAX.	CODE	
BBC37/40FH	37	40	BBC37/40FH	30 12
BBC40/43FH	40	43	BBC40/43FH	33 15
BBC43/46FH	43	46	BBC43/46FH	36 18
BBC46/49FH	46	49	BBC46/49FH	36 21
BBC49/52SFH	49	52	BBC49/52FH	42 24

Filler required to join to adjacent cabinet (purchased separately).

PRODUCT SPECIFICATIONS

Full Height Two Door Blind Bases

MODEL	
BBC49/52FH	
BBC52/55FH	

CABINET PULL CHART					
CABINET	MIN.	MAX.	CODE	W	L
BBC49/52FH	49	52	BBC49/52	42	24
BBC52/55FH	52	55	BBC52/55	45	27

Filler required to join to adjacent cabinet (purchased separately).

Base Easy Reach

MODEL	
BER33	
BER36	

Base Easy Reach with Lazy Susan Tray

MODEL	
LSB33	
LSB36	

Microwave Bases

MODEL	
BMW27	
BMW30	

PRODUCT SPECIFICATIONS

Full Height One Door Desk Bases

MODEL
DDO12
DDO15
DDO18
DDO24S

Full Height Two Door Desk Bases

MODEL
DDO24
DDO30
DDO33
DDO36

Two Drawer Desk Bases

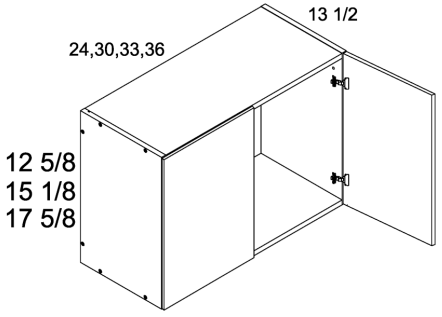
MODEL
DDR2DB12
DDR2DB15
DDR2DB18
DDR2DB24
DDR2DB30
DDR2DB33
DDR2DB36

Three Drawer Desk Bases

MODEL
DDR3DB12
DDR3DB15
DDR3DB18
DDR3DB24
DDR3DB30
DDR3DB33
DDR3DB36

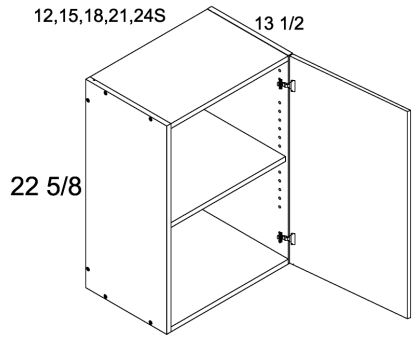
PRODUCT SPECIFICATIONS

Two Door 13.5" Deep Stacker Wall Cabinets



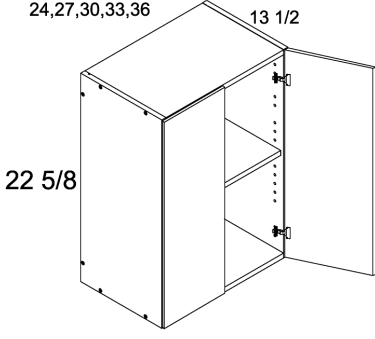
MODEL
W2412
W3012
W3312
W3612
W2415
W3015
W3315
W3615
W2418
W3018
W3318
W3618

One Door 13.5" Deep Stacker Wall Cabinets



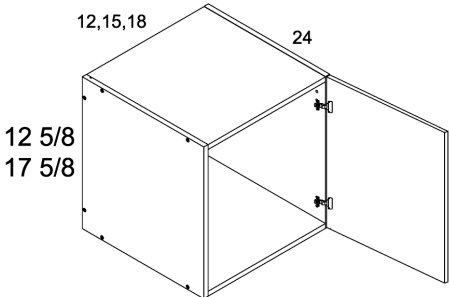
MODEL
W1223
W1523
W1823
W2123
W2423S

Two Door 13.5" Deep Stacker Wall Cabinets



MODEL
W2423
W2723
W3023
W3323
W3623

One Door 24" Deep Stacker Wall Cabinets



MODEL
W121224
W151224
W181224
W121824
W151824
W181824

PRODUCT SPECIFICATIONS

Two Door 24" Deep Stacker Wall Cabinets

MODEL
W241224
W301224
W331224
W361224
W361524
W241824
W301824
W331824
W361824
W362024

One Door 24" Deep Stacker Wall Cabinets

MODEL
W122324
W152324
W182324
W242324S

Two Door 24" Deep Stacker Wall Cabinets

MODEL
W242324
W302324
W332324
W362324

One Door 30" High Wall Cabinets

MODEL
W0930
W1230
W1530
W1830
W2130
W2430S

PRODUCT SPECIFICATIONS

Two Door 30" High Wall Cabinets

MODEL
W2430
W2730
W3030
W3330
W3630

One Door 35" High Wall Cabinets

MODEL
W0935
W1235
W1535
W1835
W2135

Two Door 35" High Wall Cabinets

MODEL
W2435
W2735
W3035
W3335
W3635

One Door 40" High Wall Cabinets

MODEL
W0940
W1240
W1540
W1840
W2140

PRODUCT SPECIFICATIONS

Two Door 40" High Wall Cabinets

24,27,30,33,36

13 1/2

40 1/4

MODEL
W2440
W2740
W3040
W3340
W3640

13.5" Deep Flip Up Wall Cabinets

24,27,30,33,36

12 5/8
15 1/8
17 5/8

13 1/2

MODEL
WFD2412
WFD2712
WFD3012
WFD3312
WFD3612
WFD2415
WFD2715
WFD3015
WFD3315
WFD3615
WFD2418
WFD2718
WFD3018
WFD3318
WFD3618

24" Deep Flip Up Wall Cabinets

24,30,33,36

12 5/8
15 1/8
17 5/8

24

MODEL
WFD241224
WFD241824
WFD301224
WFD301824
WFD331224
WFD331824
WFD361224
WFD361524
WFD361824

Wall Blind Corner Cabinets

24,30,33,36

12 5/8
15 1/8
17 5/8

24

30 1/4
35 1/4
40 1/4

13 1/2

15

W

L

MODEL
WBC24/2730
WBC27/3030
WBC30/3330
WBC33/3630
WBC36/3930
WBC24/2735
WBC27/3035
WBC30/3335
WBC33/3635
WBC36/3935
WBC24/2740
WBC27/3040
WBC30/3340
WBC33/3640
WBC36/3940

CABINET PULL CHART					
CABINET	MIN.	MAX.	CODE	W	L
WBC24/27	24	27	WBC24/27	24	9
WBC27/30	27	30	WBC27/30	27	12
WBC30/33	30	33	WBC30/33	30	15
WBC33/36	33	36	WBC33/36	33	18
WBC36/39	36	39	WBC36/39	36	21

Filler required to join to adjacent cabinet (purchased separately).

PRODUCT SPECIFICATIONS

Wall Easy Reach Corner Cabinets

MODEL
WER2430
WER2435

24

24

30 1/4
35 1/4

Wall Easy Reach Corner Cabinets

MODEL
WER2440

24

24

40 1/4

Specialty Walls - Floating Shelves

MODEL
FS36
FS48
FS60

13

36.48.60

1 15/16

36" W Floating Shelf only has one mounting bracket.

PRODUCT SPECIFICATIONS

Tall Two Door Open Utility

MODEL
T1272
T1572
T1872
T2472S

Tall Four Door Open Utility

MODEL
T2472

Tall Two Door Utility with Shelves

MODEL
TB1272FH
TB1572FH
TB1872FH
TB2472SFH

Tall Four Door Utility with Shelves

MODEL
TB2472FH
TB3072FH

PRODUCT SPECIFICATIONS

Tall Two Door One Drawer Utility

MODEL
TB1272
TB1572
TB1872
TB2472S

Tall Four Door One Drawer Utility

MODEL
TB2472
TB3072

Tall One Door Two Drawer Utility

MODEL
T2DB1272
T2DB1572
T2DB1872
T2DB2472S

Tall Two Door Two Drawer Utility

MODEL
T2DB2472
T2DB3072

PRODUCT SPECIFICATIONS

Tall One Door Two Drawer with One Inner Drawer Utility

MODEL
T2DBID1272
T2DBID1572
T2DBID1872
T2DBID2472S

Tall Two Door Two Drawer with One Inner Drawer Utility

MODEL
T2DBID2472
T2DBID3072

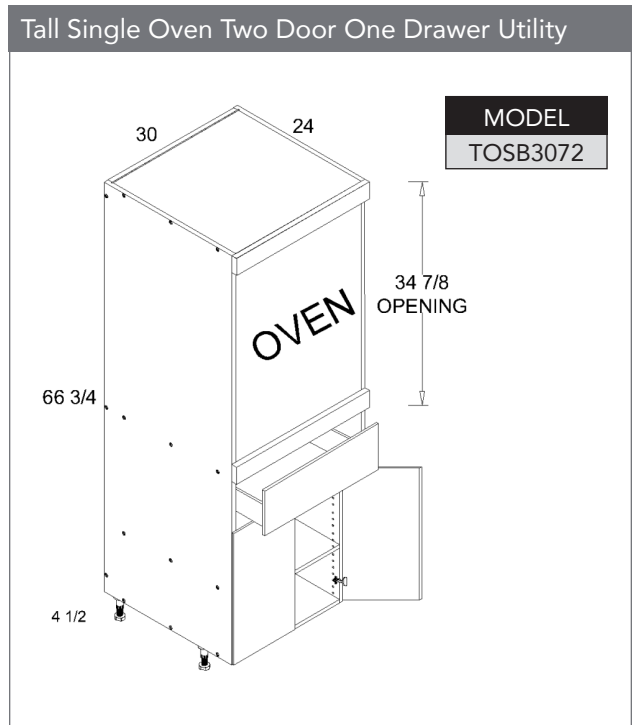
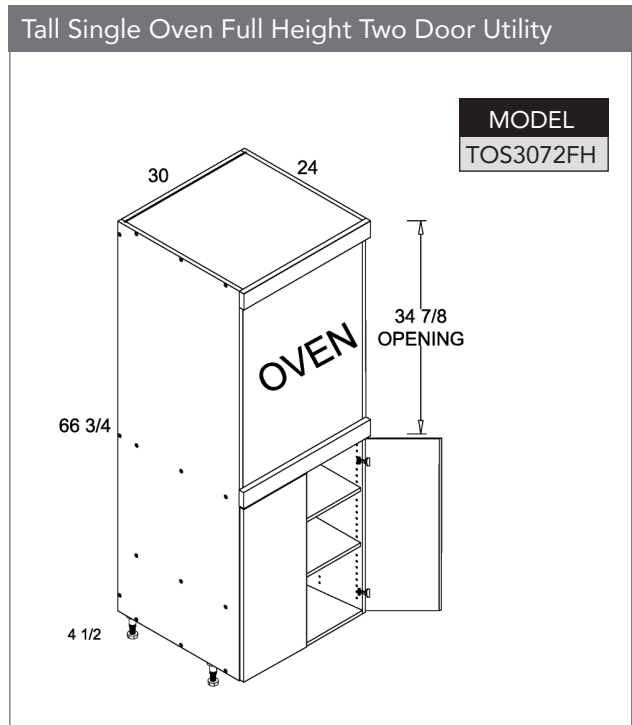
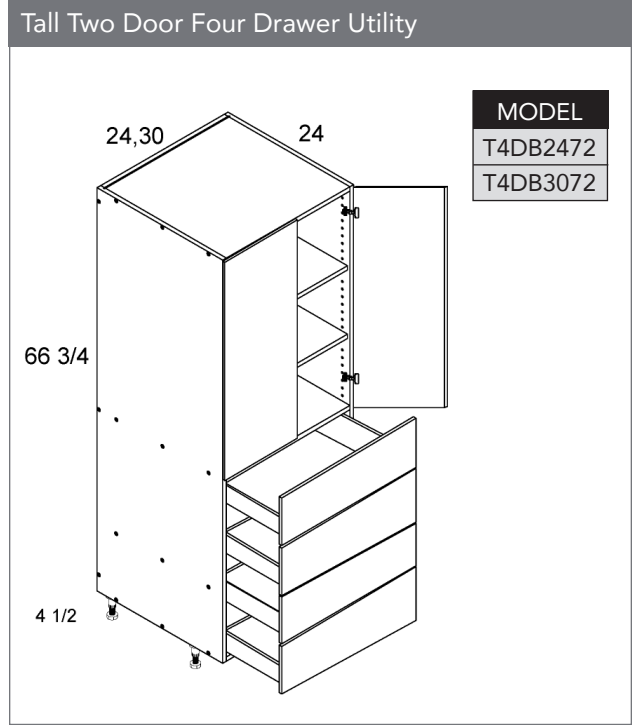
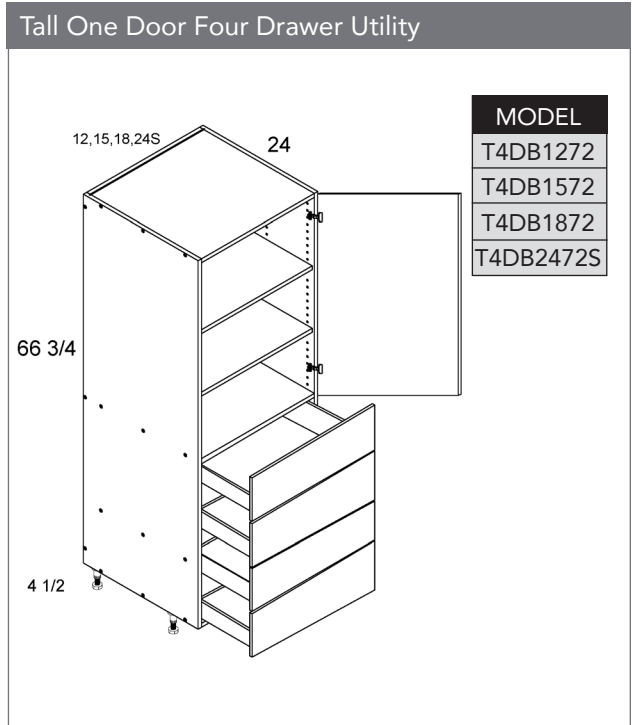
Tall One Door Three Drawer Utility

MODEL
T3DB1272
T3DB1572
T3DB1872
T3DB2472S

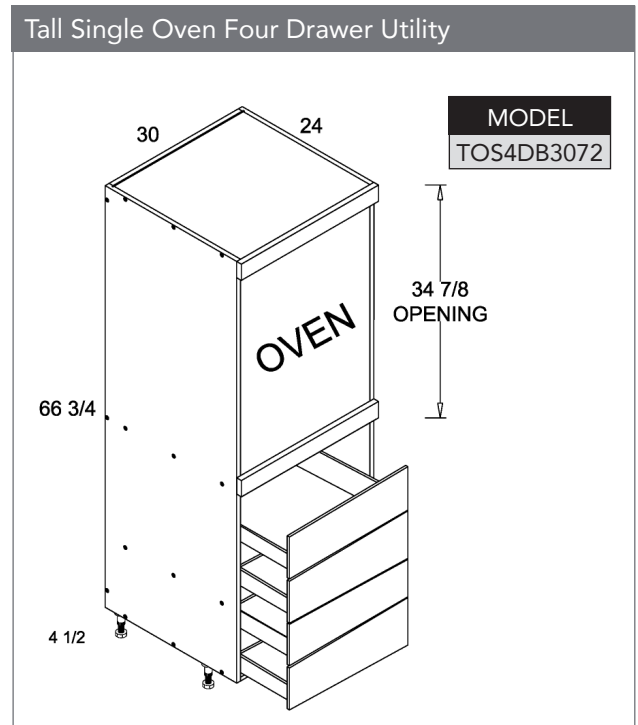
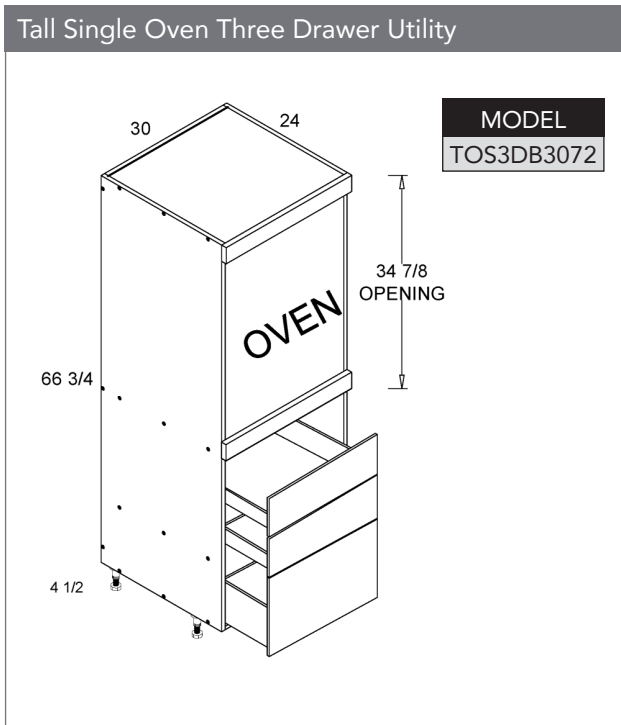
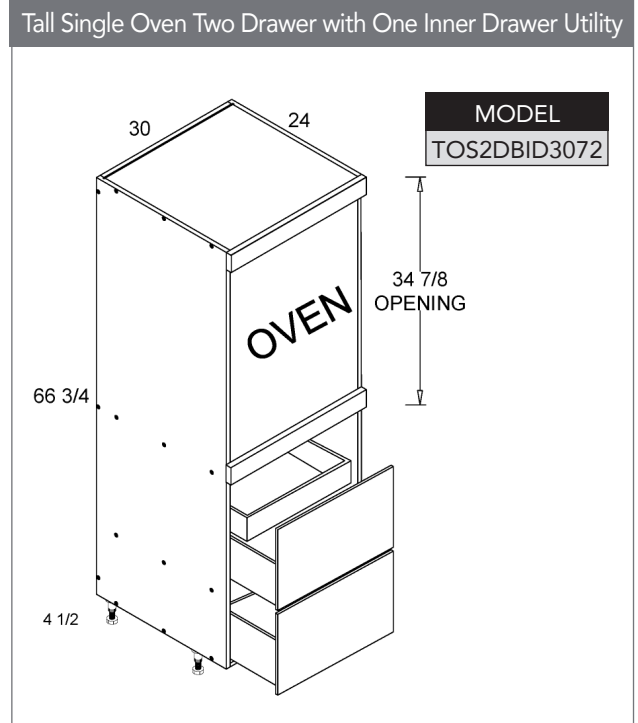
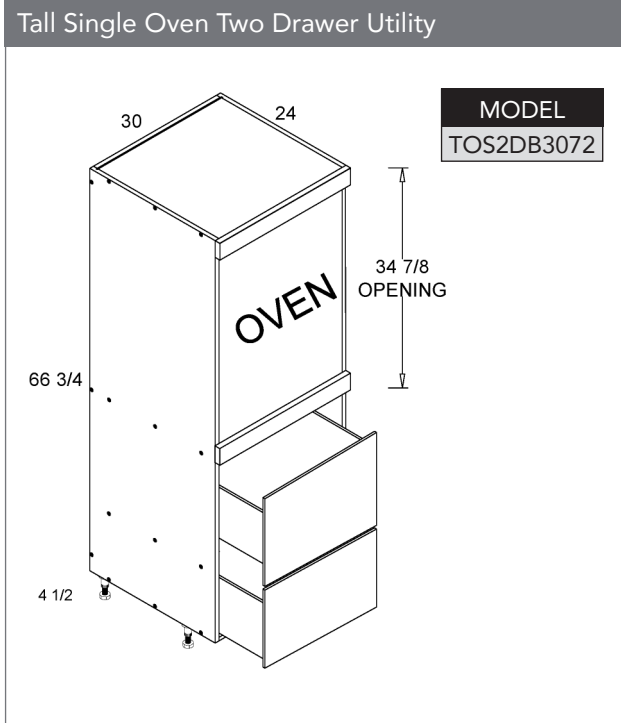
Tall Two Door Three Drawer Utility

MODEL
T3DB2472
T3DB3072

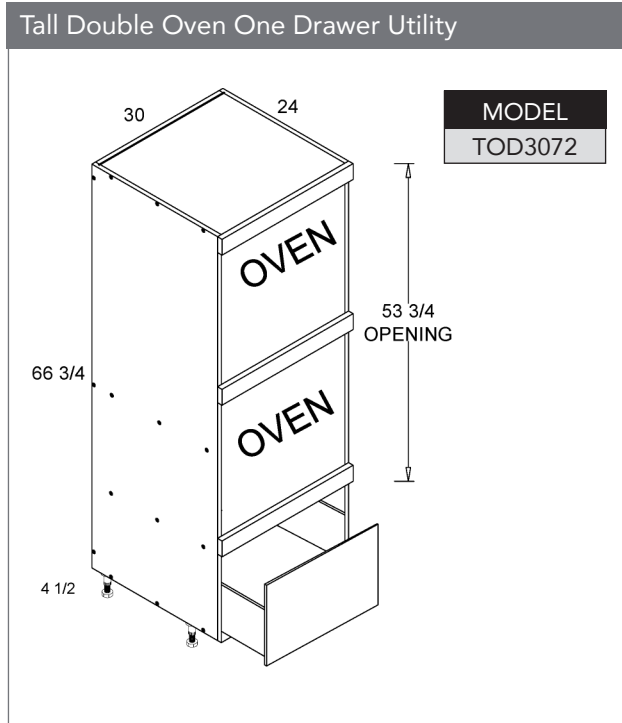
PRODUCT SPECIFICATIONS



PRODUCT SPECIFICATIONS



PRODUCT SPECIFICATIONS



PRODUCT SPECIFICATIONS

Full Height One Door Vanity Bases

MODEL
VB12FH
VB15FH
VB18FH

One Door One Drawer Vanity Bases

MODEL
VB12
VB15
VB18

Two Drawer Vanity Bases

MODEL
2VDB12
2VDB15
2VDB18

Two Drawer with One Inner Drawer Vanity Bases

MODEL
2VDBID12
2VDBID15
2VDBID18

PRODUCT SPECIFICATIONS

Three Drawer Vanity Bases

MODEL
3VDB12
3VDB15
3VDB18

Four Drawer Vanity Bases

MODEL
4VDB12
4VDB15
4VDB18

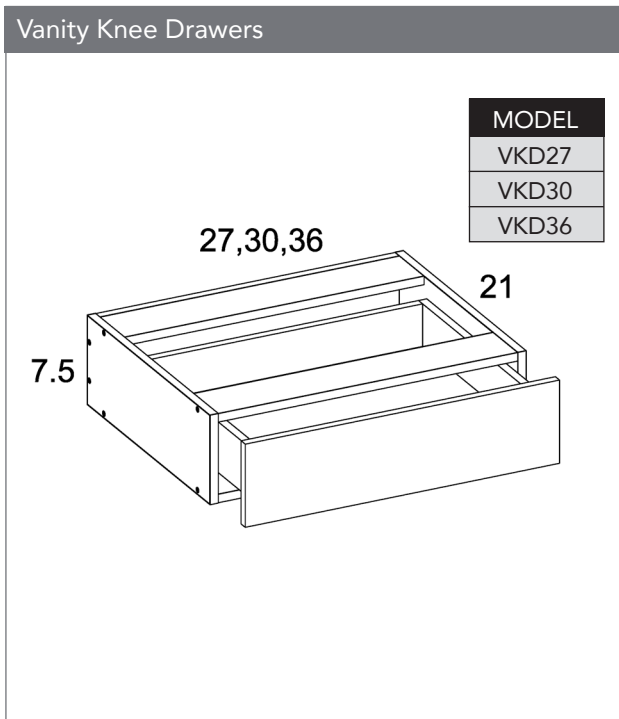
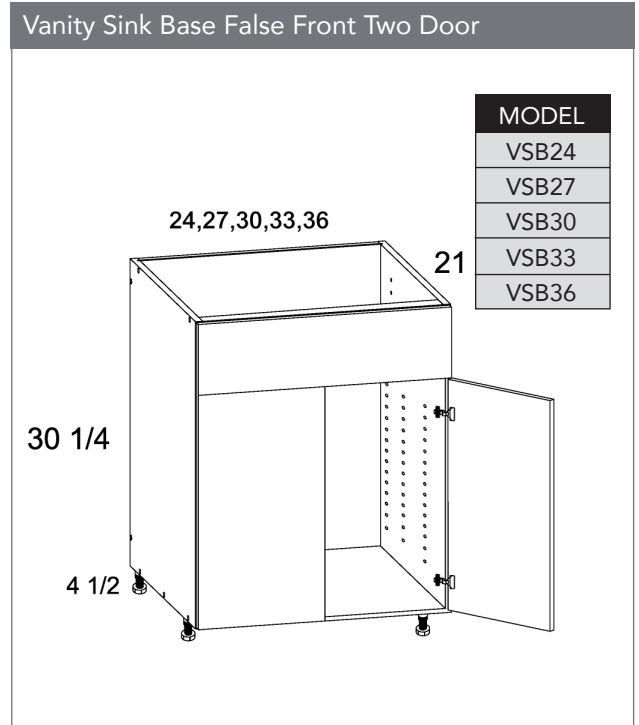
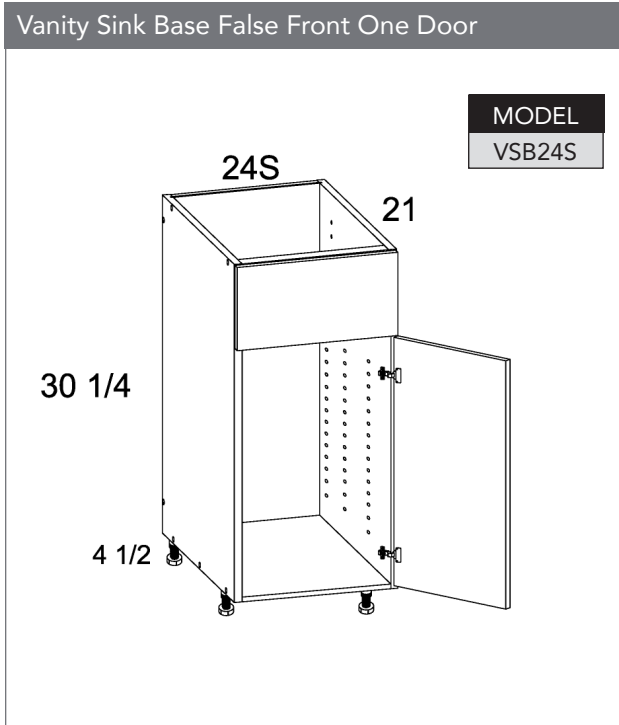
Full Height One Door Vanity Sink Bases

MODEL
VSB24SFH

Full Height Double Door Vanity Sink Bases

MODEL
VSB24FH
VSB27FH
VSB30FH
VSB33FH
VSB36FH

PRODUCT SPECIFICATIONS



PRODUCT SPECIFICATIONS

1 3/4" Angle Crown Moulding

MODEL
ACM8

- Support Moulding (SMP2) required to secure to the cabinet.
- Available in Verona style only.

3" Angle Crown Moulding

MODEL
LACM8

- Support Moulding (SMP2) required to secure to the cabinet.
- Available in Verona style only.

2 1/2" Cove Crown Moulding

MODEL
MCVE8

- Support Moulding (SMP2) required to secure to the cabinet.
- Available in Verona style only.

3 3/8" Cove Crown Moulding

MODEL
LCVE8

- Support Moulding (SMP2) required to secure to the cabinet.
- Available in Verona style only.

1 1/2" Light Rail Moulding

MODEL
MPF1

- Support Moulding (SMP2) required to secure to the cabinet.
- Available in Verona style only.

6" Crown Extension Moulding

MODEL
MPF8

- Support Moulding (SMP2) required to secure to the cabinet.
- Available in Verona style only.

PRODUCT SPECIFICATIONS

Support Moulding

MODEL
SPM2

- Required for use with all crown mouldings to secure to the cabinet.
- Available in Verona style only.

Outside Corner Moulding

MODEL
OCM8

Batten Moulding

MODEL
BM8

Scribe Moulding

MODEL
SM8

Shoe Moulding

MODEL
SHM8

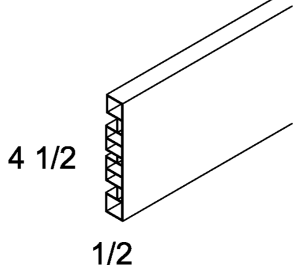
Toe Kick Cover

MODEL
TKC

- Edgebanded on all four edges
- Matching Laminate Face

PRODUCT SPECIFICATIONS

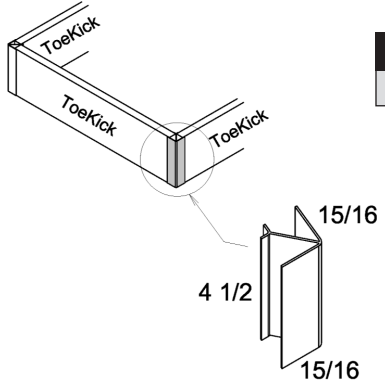
Brushed Aluminum PVC Toe Kick Cover



MODEL
TKC-PVC


• Brushed Aluminum Finish

PVC Toe Kick Corner Connector



MODEL
CORNER-PVC

Furniture Base Moulding



MODEL
FBM8

• Available in Verona style only.

58

PRODUCT SPECIFICATIONS

Fillers - Appliance Filler (Three Pack)

MODEL
AF3006

30
6

• Edgebanded on all four edges

Fillers - 3" Filler Overlays

MODEL
OF323
OF330
OF335
OF340
OF384
OF389
OF394

3
22 1/2
30 1/4
35 1/4
40 1/4
83
88
93

Fillers - 6" Filler Overlays

MODEL
OF630
OF635
OF640
OF684
OF689
OF694

6
30 1/4
35 1/4
40 1/4
83
88
93

PRODUCT SPECIFICATIONS

Panels - Base End Panel

MODEL
BEP2535

25 5/16
35 1/4
3/4

• Edgebanded on all four edges

Panels - Wall End Panel

MODEL
WEP1523
WEP1530
WEP1535
WEP1540

15
22 5/8
30 1/4
35 1/4
40 1/4
3/4

• Edgebanded on all four edges

Panels - Long End Panel

MODEL
BP9642

96
42
3/4

• Edgebanded on all four edges

Panels - Tall End Panel

MODEL
TEP3096

29 7/8
96
3/4

• Edgebanded on all four edges

PRODUCT SPECIFICATIONS

