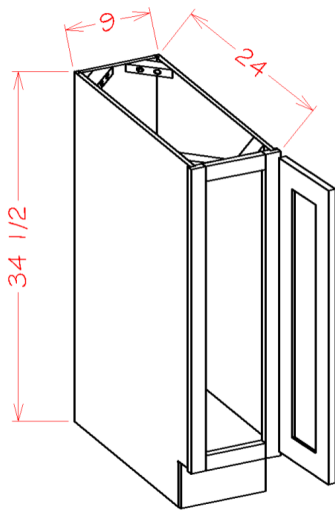




PRODUCT SPECIFICATIONS

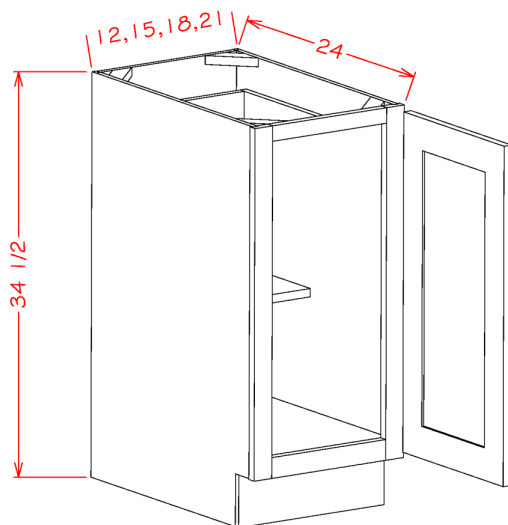
Tray Base



Model	Description	Width	Height	Depth
BT9	Cabinet Dimension	9	34½	24
	Door Dimension	8½	29	¾

34

Full Height Single Door Bases

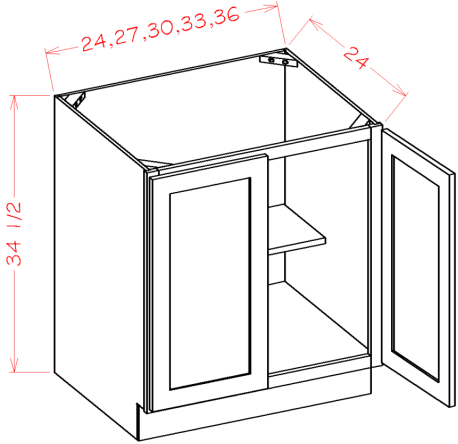


Model	Description	Width	Height	Depth
B12FH	Cabinet Dimension	12	34½	24
	Door Dimension	11½	29	¾
B15FH	Cabinet Dimension	12	34½	24
	Door Dimension	14½	29	¾
B18FH	Cabinet Dimension	18	34½	24
	Door Dimension	17½	29	¾
B21FH	Cabinet Dimension	21	34½	24
	Door Dimension	20½	29	¾

- Two boxes will be received when ordering this cabinet kit flat pack.

PRODUCT SPECIFICATIONS

Full Height Double Door Bases

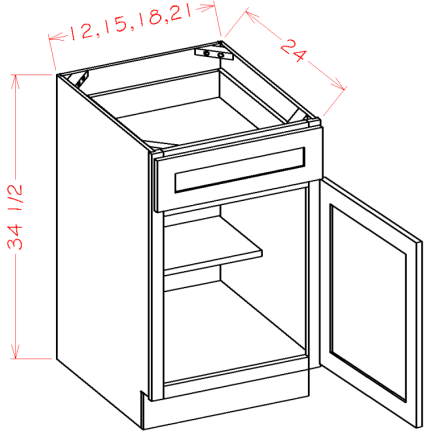


Model	Description	Width	Height	Depth
B24FH	Cabinet Dimension	24	34½	24
	Door Dimension	11¾	29	¾
B27FH	Cabinet Dimension	27	34½	24
	Door Dimension	13¾	29	¾
B30FH	Cabinet Dimension	30	34½	24
	Door Dimension	14¾	29	¾
B33FH	Cabinet Dimension	33	34½	24
	Door Dimension	16¾	29	¾
B36FH	Cabinet Dimension	36	34½	24
	Door Dimension	17¾	29	¾

- Two boxes will be received when ordering this cabinet kit flat pack.

35

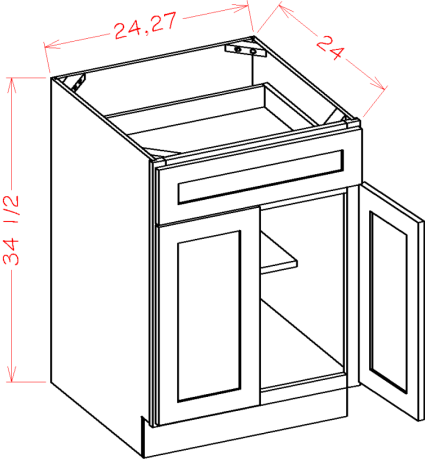
Single Door Single Drawer Bases



Model	Description	Width	Height	Depth
B12	Cabinet Dimension	12	34½	24
	Door Dimension	11½	22½	¾
	Drawer Front	11½	6¼	¾
	Drawer Box	8	3¼	20⅜
B15	Cabinet Dimension	15	34½	24
	Door Dimension	14½	22½	¾
	Drawer Front	14½	6¼	¾
	Drawer Box	11	3¼	20⅜
B18	Cabinet Dimension	18	34½	24
	Door Dimension	17½	22½	¾
	Drawer Front	17½	6¼	¾
	Drawer Box	14	3¼	20⅜
B21	Cabinet Dimension	21	34½	24
	Door Dimension	20½	22½	¾
	Drawer Front	20½	6¼	¾
	Drawer Box	17	3¼	20⅜

PRODUCT SPECIFICATIONS

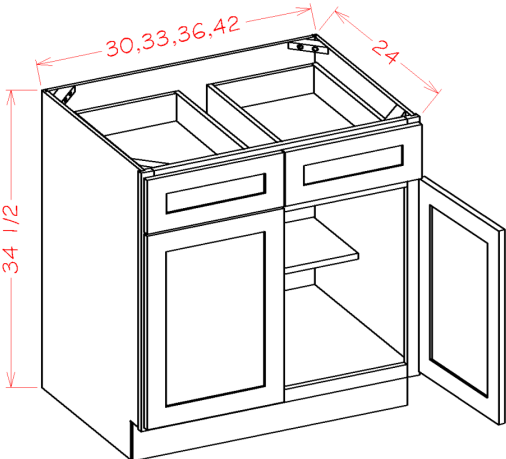
Double Door Single Drawer Bases



Model	Description	Width	Height	Depth
B24	Cabinet Dimension	24	34½	24
	Door Dimension	11¾	22½	¾
	Drawer Front	23½	6¼	¾
	Drawer Box	20	¾	20¾
B27	Cabinet Dimension	27	34½	24
	Door Dimension	13¾	22½	¾
	Drawer Front	26½	6¼	¾
	Drawer Box	23	¾	20¾

36

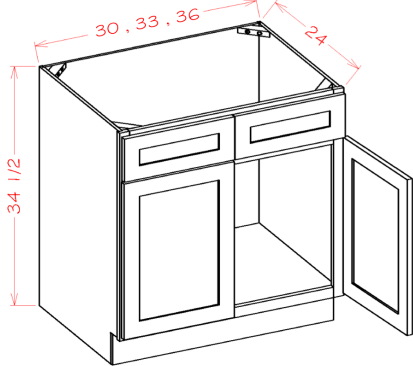
Double Door Double Drawer Bases



Model	Description	Width	Height	Depth
B30	Cabinet Dimension	30	34½	24
	Door Dimension	14¾	22½	¾
	Drawer Front	14¾	6¼	¾
	Drawer Box	12	¾	20¾
B33	Cabinet Dimension	33	34½	24
	Door Dimension	16¼	22½	¾
	Drawer Front	16¼	6¼	¾
	Drawer Box	13½	¾	20¾
B36	Cabinet Dimension	36	34½	24
	Door Dimension	17¾	22½	¾
	Drawer Front	17¾	6¼	¾
	Drawer Box	15	¾	20¾
B42	Cabinet Dimension	42	34½	24
	Door Dimension	20¾	22½	¾
	Drawer Front	20¾	6¼	¾
	Drawer Box	18	¾	20¾

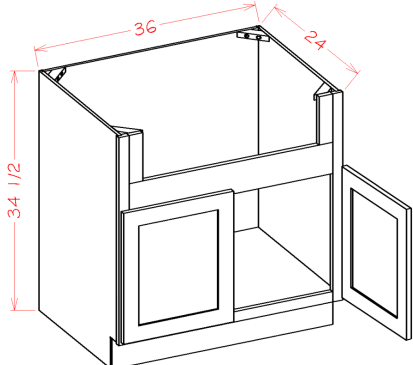
PRODUCT SPECIFICATIONS

Sink Bases



Model	Description	Width	Height	Depth
SB30	Cabinet Dimension	30	34½	24
	Door Dimension	14¾	22½	¾
	Drawer Front	14¾	6¼	¾
SB33	Cabinet Dimension	33	34½	24
	Door Dimension	16¼	22½	¾
	Drawer Front	16¼	6¼	¾
SB36	Cabinet Dimension	36	34½	24
	Door Dimension	17¾	22½	¾
	Drawer Front	17¾	6¼	¾

Sink Bases - Farm Sink

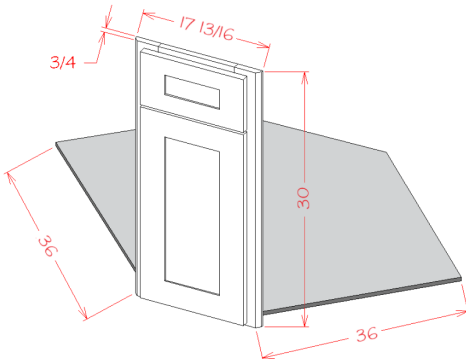


Model	Description	Width	Height	Depth
FSB36	Cabinet Dimension	36	34½	24
	Door Dimension	17¾	19	¾

- Fits up to a 33"W x 10"H farm sink

37

Sink Bases - Diagonal Sink Front

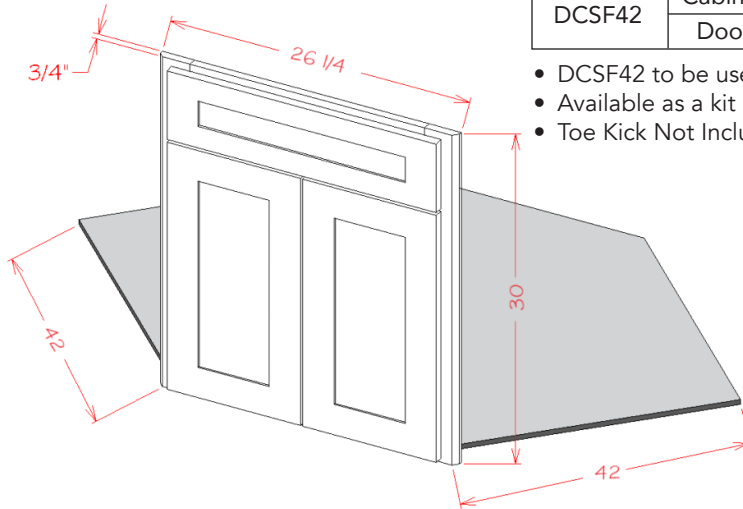


Model	Description	Width	Height	Depth
DCSF36	Cabinet Dimension	17 ¹³ / ₁₆	30	¾
	Door Dimension	15¼	22½	¾

- DCSF36 to be used in conjunction with SBF3636
- Available as a kit item SKU: DCFF36
- Toe Kick Not Included

PRODUCT SPECIFICATIONS

Sink Bases - Diagonal Sink Front

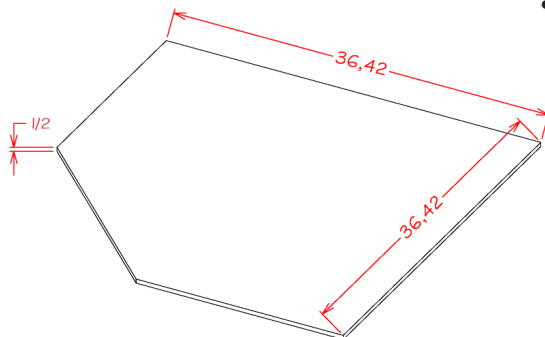


Model	Description	Width	Height	Depth
DCSF42	Cabinet Dimension	26 $\frac{1}{4}$	30	$\frac{3}{4}$
	Door Dimension	11 $\frac{3}{4}$	22 $\frac{1}{2}$	$\frac{3}{4}$

- DCSF42 to be used in conjunction with SBF4242
- Available as a kit item SKU: DCFF42
- Toe Kick Not Included

38

Sink Bases - Diagonal Sink Floor

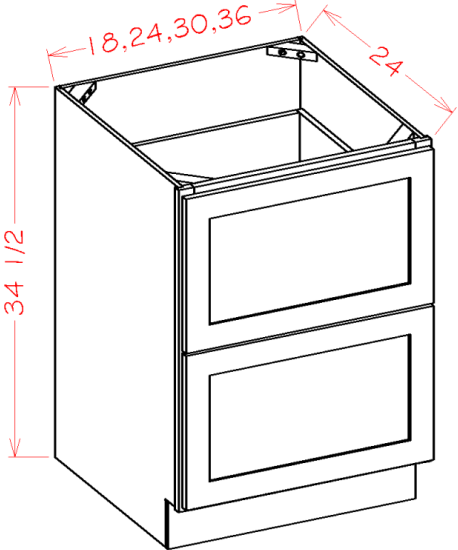


Model	Description	Width	Height	Depth
SBF3636	Cabinet Dimension	36	$\frac{1}{2}$	36
SBF4242	Door Dimension	42	$\frac{1}{2}$	42

- Sink Floor Only, Use with Corresponding DCSF

PRODUCT SPECIFICATIONS

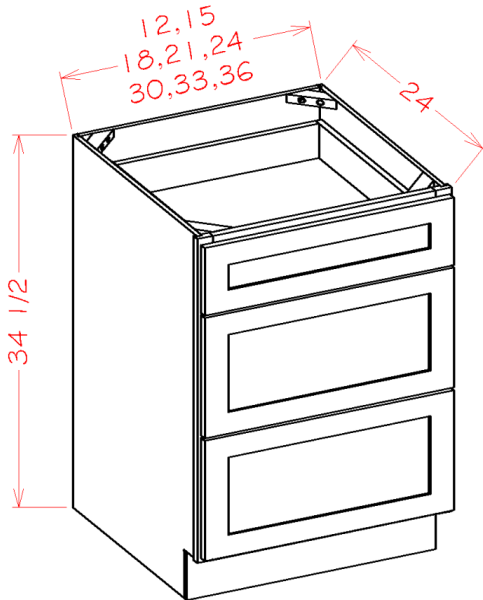
Two Drawer Bases



Model	Description	Width	Height	Depth
2DB18	Cabinet Dimension	18	34½	24
	Door Dimension	17½	14½	¾
	Drawer Front	14	8¼	20¾
2DB24	Cabinet Dimension	24	34½	24
	Door Dimension	23½	14½	¾
	Drawer Front	20	8¼	20¾
2DB30	Cabinet Dimension	30	34½	24
	Door Dimension	29½	14½	¾
	Drawer Front	26	8¼	20¾
2DB36	Cabinet Dimension	36	34½	24
	Door Dimension	35½	14½	¾
	Drawer Front	32	8¼	20¾

PRODUCT SPECIFICATIONS

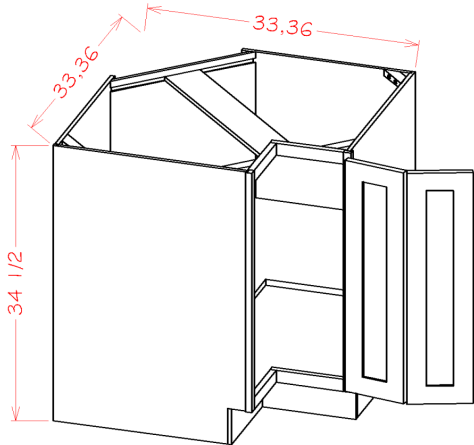
Three Drawer Base



Model	Description	Width	Height	Depth
3DB12	Cabinet Dimension	12	34½	24
	Top Drawer Front	11½	6¼	¾
	Bottom Drawer Front	11½	11⅞	¾
	Top Drawer Box	8	3⅜	20⅜
	Bottom Drawer Box	8	8¼	20⅜
3DB15	Cabinet Dimension	15	34½	24
	Top Drawer Front	14½	6¼	¾
	Bottom Drawer Front	14½	11⅞	¾
	Top Drawer Box	11	3⅜	20⅜
	Bottom Drawer Box	11	8¼	20⅜
3DB18	Cabinet Dimension	18	34½	24
	Top Drawer Front	17½	6¼	¾
	Bottom Drawer Front	17½	11⅞	¾
	Top Drawer Box	14	3⅜	20⅜
	Bottom Drawer Box	14	8¼	20⅜
3DB21	Cabinet Dimension	21	34½	24
	Top Drawer Front	20½	6¼	¾
	Bottom Drawer Front	20½	11⅞	¾
	Top Drawer Box	17½	3⅜	20⅜
	Bottom Drawer Box	17½	8¼	20⅜
3DB24	Cabinet Dimension	24	34½	24
	Top Drawer Front	23½	6¼	¾
	Bottom Drawer Front	23½	11⅞	¾
	Top Drawer Box	20	3⅜	20⅜
	Bottom Drawer Box	20	8¼	20⅜
3DB30	Cabinet Dimension	30	34½	24
	Top Drawer Front	29½	6¼	¾
	Bottom Drawer Front	29½	11⅞	¾
	Top Drawer Box	26	3⅜	20⅜
	Bottom Drawer Box	26	8¼	20⅜
3DB36	Cabinet Dimension	36	34½	24
	Top Drawer Front	35½	6¼	¾
	Bottom Drawer Front	35½	11⅞	¾
	Top Drawer Box	32	3⅜	20⅜
	Bottom Drawer Box	32	8¼	20⅜

PRODUCT SPECIFICATIONS

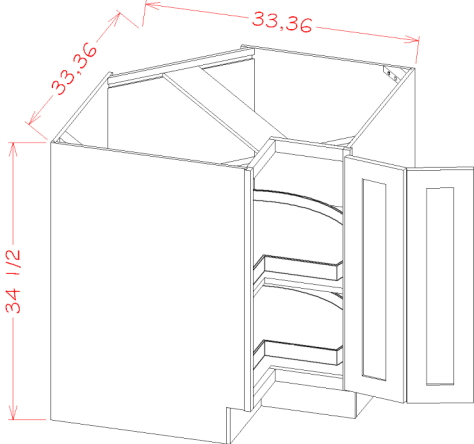
Base Easy Reach



Model	Description	Width	Height	Depth
BER33	Cabinet Dimension	33	34½	24
	Door Dimension	7 ⁵ / ₈	29	¾
BER36	Cabinet Dimension	36	34½	24
	Door Dimension	10 ⁵ / ₈	29	¾

41

Base Easy Reach with Lazy Susan Trays

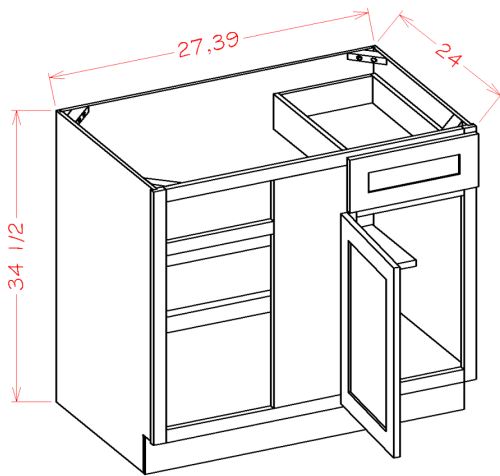


Model	Description	Width	Height	Depth
LSB33	Cabinet Dimension	33	34½	24
	Door Dimension	7 ⁵ / ₈	29	¾
LSB36	Cabinet Dimension	36	34½	24
	Door Dimension	10 ⁵ / ₈	29	¾

- LSB33 Inside Opening is 11.5" W and Wooden Lazy Susan Tray is 27.5" W (Comes in a separate box)
- LSB36 Inside Opening is 15.5" W and Wooden Lazy Susan Tray is 27.5" W (Comes in a separate box)
- Two boxes will be received when ordering this cabinet kit flat pack.

PRODUCT SPECIFICATIONS

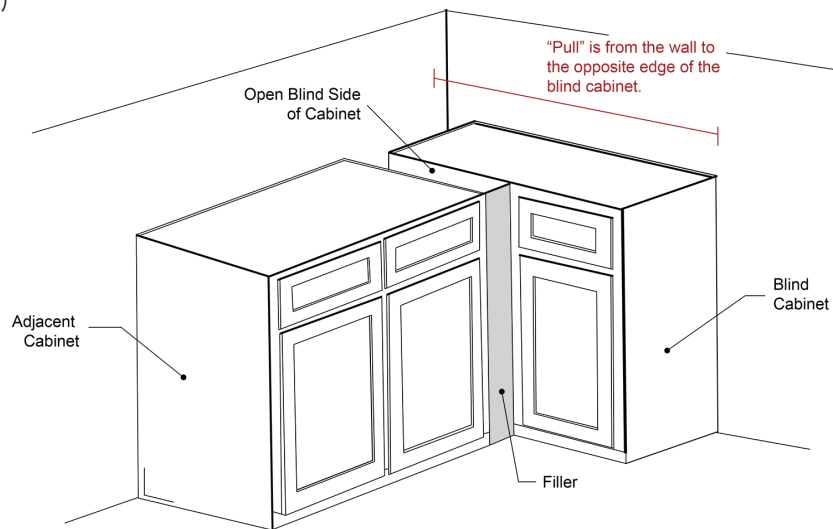
Blind Bases



Model	Description	Width	Height	Depth
BBC36	Door Opening	6 ³ / ₄	20 ¹ / ₂	22 ³ / ₄
	Cabinet Dimension	27	34 ¹ / ₂	24
	Door Dimension	9 ³ / ₄	22 ¹ / ₂	³ / ₄
	Drawer Front	9 ³ / ₄	6 ¹ / ₄	³ / ₄
	Drawer Box	6 ¹ / ₂	3 ³ / ₈	20 ³ / ₈
BBC42	Door Opening	12 ³ / ₄	20 ¹ / ₂	22 ³ / ₄
	Cabinet Dimension	39	34 ¹ / ₂	24
	Door Dimension	15 ³ / ₄	22 ¹ / ₂	³ / ₄
	Drawer Front	15 ³ / ₄	6 ¹ / ₄	³ / ₄
	Drawer Box	12 ³ / ₈	3 ³ / ₈	20 ³ / ₈

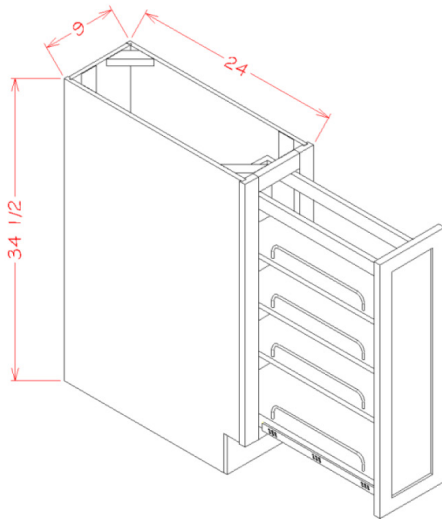
Model	Box Size	Min	Max	Stile
BBC36	27	36 ¹ / ₂	43	10
BBC42	39	42 ¹ / ₂	49	10

- Must Use Filler (not supplied)



PRODUCT SPECIFICATIONS

Accessory Base Cabinets - Full Height Door Base Kit with Shelf Pullout

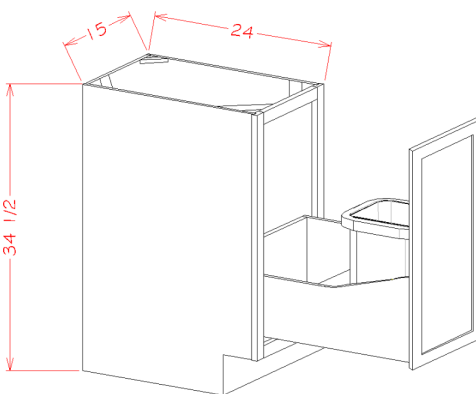


Model	Description	Width	Height	Depth
BT9PO	Cabinet Dimension	9	34½	24
	Door Dimension	8½	29	¾
	Pullout Dimension	6	25½	22 ¾

- Pullout is mounted to the cabinet floor and door.
- Full-extension slides with BLUMOTION soft-close (110 lb weight capacity).
- Two boxes will be received when ordering this cabinet kit flat pack.

43

Accessory Base Cabinets - Full Height Door Base Kit with Single Trashcan

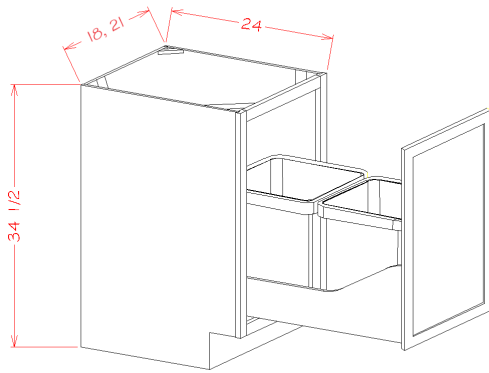


Model	Description	Width	Height	Depth
B15FHTCPO	Cabinet Dimension	15	34½	24
	Door Dimension	14½	29	¾
	Pullout Dimension	12	19½	21 ²¹ / ₃₂
	Trashcan Dimension	14 ³ / ₁₆	17 ⁷ / ₈	10½

- Pullout is mounted to the cabinet floor and door.
- Full-extension slides with BLUMOTION soft-close (110 lb weight capacity).
- Three boxes will be received when ordering this cabinet kit flat pack.

PRODUCT SPECIFICATIONS

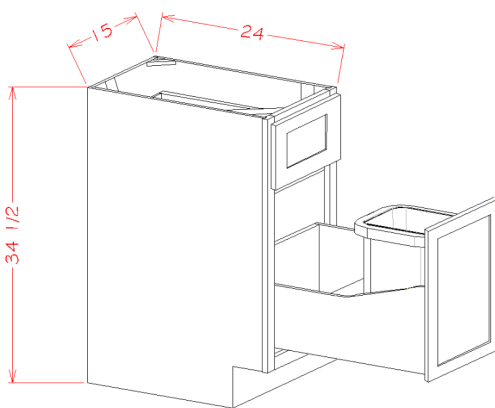
Accessory Base Cabinets - Full Height Door Base Kit with Double Trashcan Pullout



Model	Description	Width	Height	Depth
B18FHTCPO	Cabinet Dimension	18	34½	24
	Door Dimension	17½	29	¾
	Pullout Dimension	15	20¾	21 ²¹ / ₃₂
	Trashcan Dimension	14 ³ / ₁₆	17 ⁷ / ₈	10½
B21FHTCPO	Cabinet Dimension	21	34½	24
	Door Dimension	20½	29	¾
	Pullout Dimension	18	20¾	21 ²¹ / ₃₂
	Trashcan Dimension	14 ³ / ₁₆	17 ⁷ / ₈	10½

- Pullout is mounted to the cabinet floor and door.
- Full-extension slides with BLUMOTION soft-close (110 lb weight capacity).
- Three boxes will be received when ordering this cabinet kit flat pack.

Accessory Base Cabinets - Single Door Single Drawer Base Kit with Single Trashcan Pullout

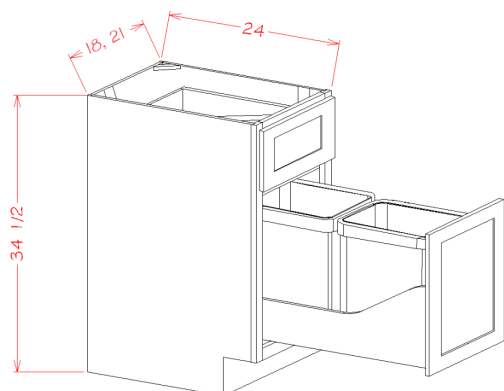


Model	Description	Width	Height	Depth
B15TCPO	Cabinet Dimension	15	34½	24
	Door Dimension	14½	22½	¾
	Drawer Front	14½	6 ¼	¾
	Drawer Box	11	3 ¼	20 ³ / ₈
	Pullout Dimension	12	19½	21 ²¹ / ₃₂
	Trashcan Dimension	14 ³ / ₁₆	17 ⁷ / ₈	10½

- Pullout is mounted to the cabinet floor and door.
- Full-extension slides with BLUMOTION soft-close (110 lb weight capacity).
- Two boxes will be received when ordering this cabinet kit flat pack.

PRODUCT SPECIFICATIONS

Accessory Base Cabinets - Single Door Single Drawer Base Kit with Double Trashcan Pullout

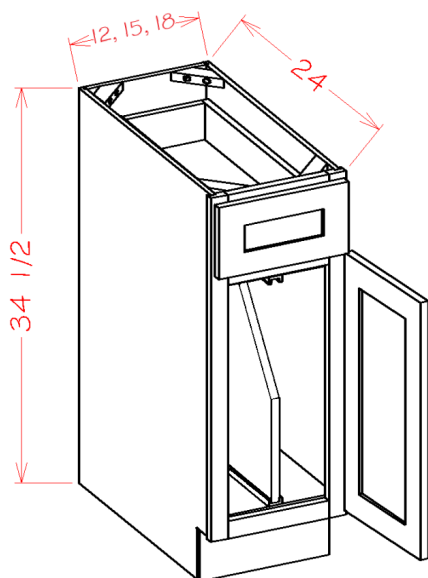


- Pullout is mounted to the cabinet floor and door.
- Full-extension slides with BLUMOTION soft-close (110 lb weight capacity).
- Two boxes will be received when ordering this cabinet kit flat pack.

Model	Description	Width	Height	Depth
B18TCPO	Cabinet Dimension	18	34½	24
	Door Dimension	17½	22½	¾
	Drawer Front	17½	6 ¼	¾
	Drawer Box	14	3 ¼	20¾
	Pullout Dimension	15	19½	21 ²¹ / ₃₂
B21TCPO	Cabinet Dimension	21	34½	24
	Door Dimension	20½	22½	¾
	Drawer Front	20½	6 ¼	¾
	Drawer Box	17	3 ¼	20¾
	Pullout Dimension	18	19½	21 ²¹ / ₃₂
B18TCPO	Trashcan Dimension	14 ³ / ₁₆	17 ⁷ / ₈	10½
	Trashcan Dimension	14 ³ / ₁₆	17 ⁷ / ₈	10½

45

Accessory Base Cabinets - Tray Divider Base Kit

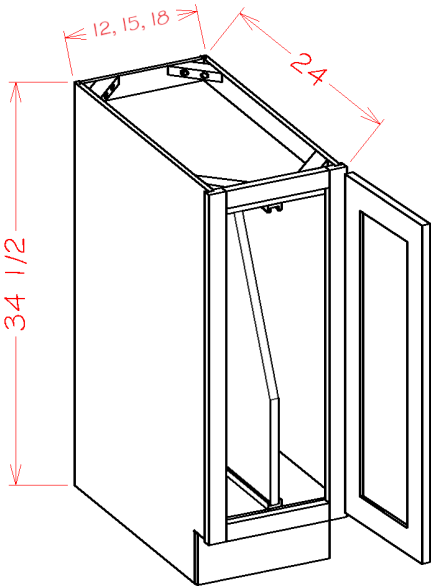


Model	Description	Width	Height	Depth
B12TD	Cabinet Dimension	12	34½	24
	Door Dimension	11½	22½	¾
	Drawer Front	11½	6¼	¾
	Drawer Box	8	3¼	20¾
	Tray Divider	¾	21	22½
B15TD	Cabinet Dimension	15	34½	24
	Door Dimension	14½	22½	¾
	Drawer Front	14½	6¼	¾
	Drawer Box	11	3¼	20¾
	Tray Divider	¾	21	22½
B18TD	Cabinet Dimension	18	34½	24
	Door Dimension	17½	22½	¾
	Drawer Front	17½	6¼	¾
	Drawer Box	14	3¼	20¾
	Tray Divider	¾	21	22½

- B18TD Includes Two Dividers
- Two boxes will be received when ordering this cabinet kit flat pack.

PRODUCT SPECIFICATIONS

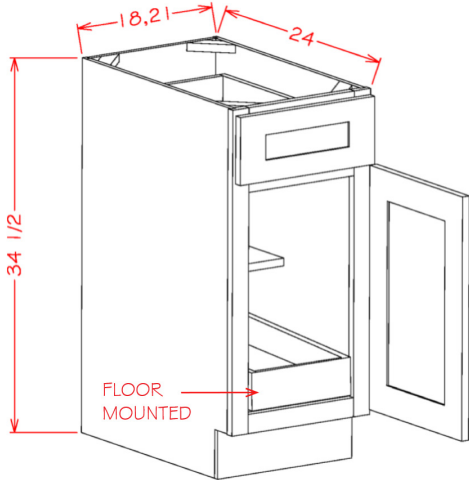
Accessory Base Cabinets - Full Height Tray Divider Base Kit



Model	Description	Width	Height	Depth
B12FHTD	Cabinet Dimension	12	34½	24
	Door Dimension	11½	29	¾
	Tray Divider	¾	27	22½
B15FHTD	Cabinet Dimension	15	34½	24
	Door Dimension	14½	29	¾
	Tray Divider	¾	27	22½
B18FHTD	Cabinet Dimension	18	34½	24
	Door Dimension	17½	29	¾
	Tray Divider	¾	27	22½

- B18FHTD Includes Two Dividers
- Three boxes will be received when ordering this cabinet kit flat pack.

Accessory Base Cabinets - Single Door Single Drawer One Rollout Shelf Base Kit

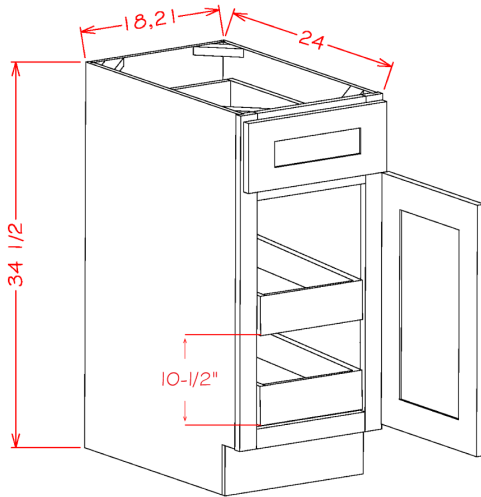


Model	Description	Width	Height	Depth
B181RS	Cabinet Dimension	18	34½	24
	Door Dimension	17½	22½	¾
	Drawer Front	17½	6¼	¾
	Drawer Box	14	¾	20¾
	Rollout Shelf	13¾	¾	20⅞
B211RS	Cabinet Dimension	21	34½	24
	Door Dimension	20½	22½	¾
	Drawer Front	20½	6¼	¾
	Drawer Box	17	¾	20¾
	Rollout Shelf	16¾	¾	20⅞

- Assembled cabinets with Rollout Shelf kits are ONLY installed as indicated in the line drawing
- Two boxes will be received when ordering this cabinet kit flat pack.
- Rollout Shelf glides are side mounted ball bearing with no soft close.

PRODUCT SPECIFICATIONS

Accessory Base Cabinets - Single Door Single Drawer Two Rollout Shelf Base Kit

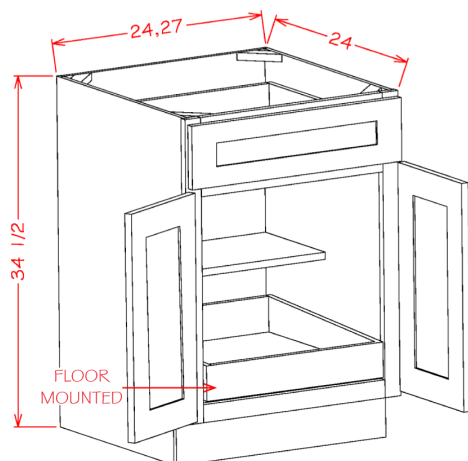


Model	Description	Width	Height	Depth
B182RS	Cabinet Dimension	18	34½	24
	Door Dimension	17½	22½	¾
	Drawer Front	17½	6¼	¾
	Drawer Box	14	3¼	20¾
	Rollout Shelf	13¾	3¾	20⅞
B212RS	Cabinet Dimension	21	34½	24
	Door Dimension	20½	22½	¾
	Drawer Front	20½	6¼	¾
	Drawer Box	17	3¼	20¾
	Rollout Shelf	16¾	3¾	20⅞

- Assembled cabinets with Rollout Shelf kits are ONLY installed as indicated in the line drawing
- Three boxes will be received when ordering this cabinet kit flat pack.
- Rollout Shelf glides are side mounted ball bearing with no soft close.

47

Accessory Base Cabinets - Double Door Single Drawer One Rollout Shelf Base Kit

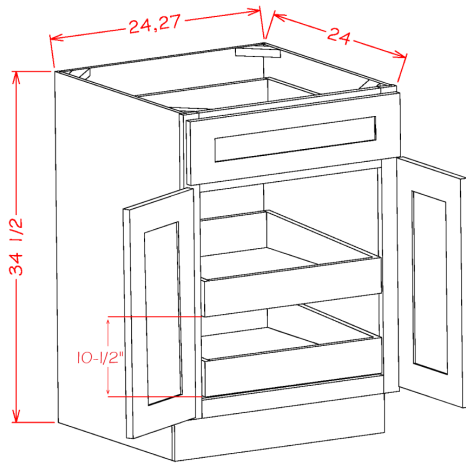


Model	Description	Width	Height	Depth
B241RS	Cabinet Dimension	24	34½	24
	Door Dimension	11¾	22½	¾
	Drawer Front	23½	6¼	¾
	Drawer Box	20	3¼	20¾
	Rollout Shelf	19½	3¾	20⅞
B271RS	Cabinet Dimension	27	34½	24
	Door Dimension	13¾	22½	¾
	Drawer Front	26½	6¼	¾
	Drawer Box	23	3¼	20¾
	Rollout Shelf	22½	3¾	20⅞

- Assembled cabinets with Rollout Shelf kits are ONLY installed as indicated in the line drawing
- Two boxes will be received when ordering this cabinet kit flat pack.
- Rollout Shelf glides are side mounted ball bearing with no soft close.

PRODUCT SPECIFICATIONS

Accessory Base Cabinets - Double Door Single Drawer Two Rollout Shelf Base Kit

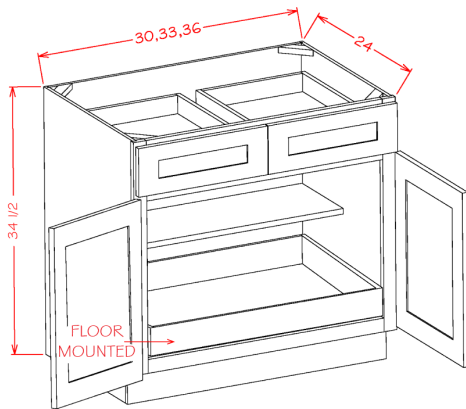


Model	Description	Width	Height	Depth
B242RS	Cabinet Dimension	24	34½	24
	Door Dimension	11¾	22½	¾
	Drawer Front	23½	6¼	¾
	Drawer Box	20	3¼	20⅜
	Rollout Shelf	19½	3⅜	20⅞
B272RS	Cabinet Dimension	27	34½	24
	Door Dimension	13¾	22½	¾
	Drawer Front	26½	6¼	¾
	Drawer Box	23	3¼	20⅜
	Rollout Shelf	22½	3⅜	20⅞

- Assembled cabinets with Rollout Shelf kits are ONLY installed as indicated in the line drawing
- Three boxes will be received when ordering this cabinet kit flat pack.
- Rollout Shelf glides are side mounted ball bearing with no soft close.

48

Accessory Base Cabinets - Double Door Double Drawer One Rollout Shelf Base Kit

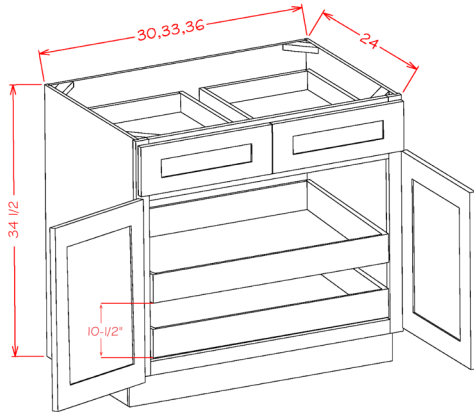


Model	Description	Width	Height	Depth
B301RS	Cabinet Dimension	30	34½	24
	Door Dimension	14¾	22½	¾
	Drawer Front	14¾	6¼	¾
	Drawer Box	12	3¼	20⅜
	Rollout Shelf	25⅜	3⅜	20⅞
B331RS	Cabinet Dimension	33	34½	24
	Door Dimension	16¼	22½	¾
	Drawer Front	16¼	6¼	¾
	Drawer Box	13½	3¼	20⅜
	Rollout Shelf	28⅜	3⅜	20⅞
B361RS	Cabinet Dimension	36	34½	24
	Door Dimension	17¾	22½	¾
	Drawer Front	17¾	6¼	¾
	Drawer Box	15	3¼	20⅜
	Rollout Shelf	31⅜	3⅜	20⅞

- Assembled cabinets with Rollout Shelf kits are ONLY installed as indicated in the line drawing
- Two boxes will be received when ordering this cabinet kit flat pack.
- Rollout Shelf glides are side mounted ball bearing with no soft close.

PRODUCT SPECIFICATIONS

Accessory Base Cabinets - Double Door Double Drawer Two Rollout Shelf Base Kit

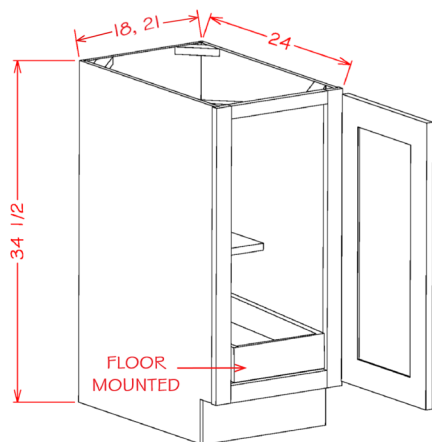


- Assembled cabinets with Rollout Shelf kits are ONLY installed as indicated in the line drawing
- Three boxes will be received when ordering this cabinet kit flat pack.
- Rollout Shelf glides are side mounted ball bearing with no soft close.

Model	Description	Width	Height	Depth
B302RS	Cabinet Dimension	30	34½	24
	Door Dimension	14¾	22½	¾
	Drawer Front	14¾	6¼	¾
	Drawer Box	12	3¼	20¾
	Rollout Shelf	25¾	3¾	20⅞
B332RS	Cabinet Dimension	33	34½	24
	Door Dimension	16¼	22½	¾
	Drawer Front	16¼	6¼	¾
	Drawer Box	13½	3¼	20¾
	Rollout Shelf	28¾	3¾	20⅞
B362RS	Cabinet Dimension	36	34½	24
	Door Dimension	17¾	22½	¾
	Drawer Front	17¾	6¼	¾
	Drawer Box	15	3¼	20¾
	Rollout Shelf	31¾	3¾	20⅞

49

Accessory Base Cabinets - Single Full Height Door One Rollout Shelf Base Kit

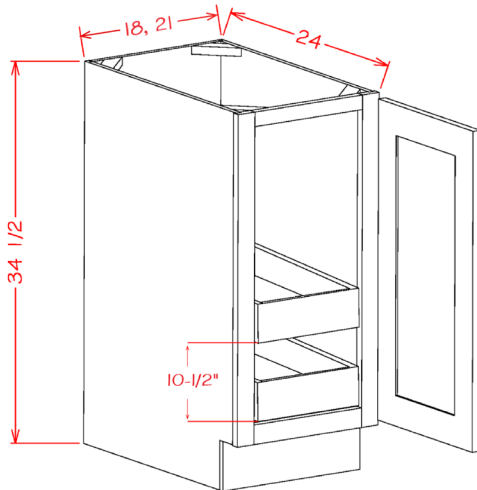


Model	Description	Width	Height	Depth
B18FH1RS	Cabinet Dimension	18	34½	24
	Door Dimension	17½	29	¾
	Rollout Shelf	13¾	3¾	20⅞
B21FH1RS	Cabinet Dimension	21	34½	24
	Door Dimension	20½	29	¾
	Rollout Shelf	16¾	3¾	20⅞

- Assembled cabinets with Rollout Shelf kits are ONLY installed as indicated in the line drawing
- Three boxes will be received when ordering this cabinet kit flat pack.
- Rollout Shelf glides are side mounted ball bearing with no soft close.

PRODUCT SPECIFICATIONS

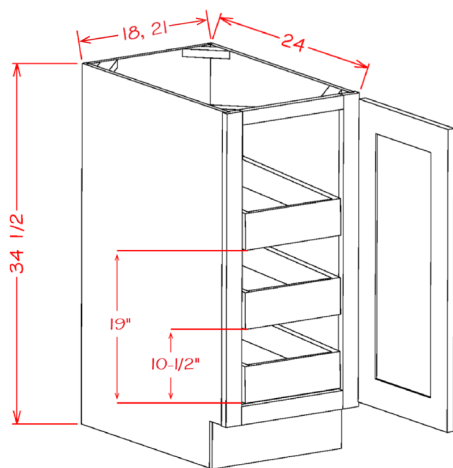
Accessory Base Cabinets - Single Full Height Door Two Rollout Shelf Base Kit



Model	Description	Width	Height	Depth
B18FH2RS	Cabinet Dimension	18	34½	24
	Door Dimension	17½	29	¾
	Rollout Shelf	13¾	3¾	20⅞
B21FH2RS	Cabinet Dimension	21	34½	24
	Door Dimension	20½	29	¾
	Rollout Shelf	16¾	3¾	20⅞

- Assembled cabinets with Rollout Shelf kits are ONLY installed as indicated in the line drawing
- Four boxes will be received when ordering this cabinet kit flat pack.
- Rollout Shelf glides are side mounted ball bearing with no soft close.

Accessory Base Cabinets - Single Full Height Door Three Rollout Shelf Base Kit

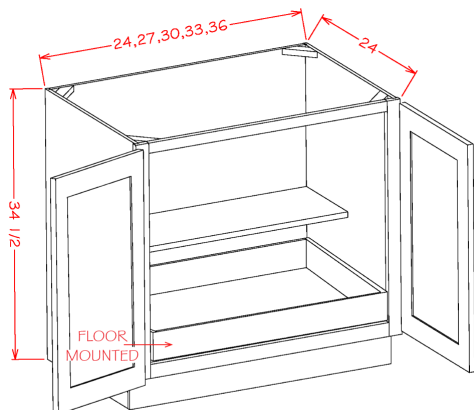


Model	Description	Width	Height	Depth
B18FH3RS	Cabinet Dimension	18	34½	24
	Door Dimension	17½	29	¾
	Rollout Shelf	13¾	3¾	20⅞
B21FH3RS	Cabinet Dimension	21	34½	24
	Door Dimension	20½	29	¾
	Rollout Shelf	16¾	3¾	20⅞

- Assembled cabinets with Rollout Shelf kits are ONLY installed as indicated in the line drawing
- Five boxes will be received when ordering this cabinet kit flat pack.
- Rollout Shelf glides are side mounted ball bearing with no soft close.

PRODUCT SPECIFICATIONS

Accessory Base Cabinets - Double Full Height Door One Rollout Shelf Base Kit

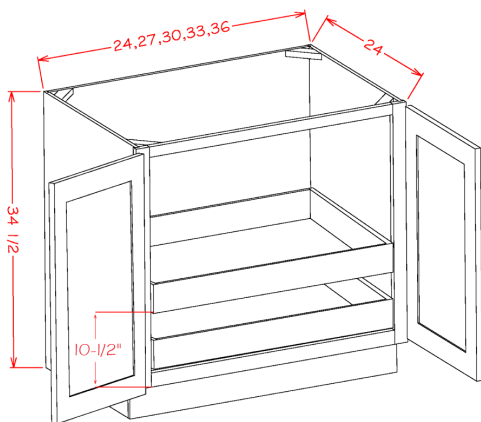


- Assembled cabinets with Rollout Shelf kits are ONLY installed as indicated in the line drawing
- Three boxes will be received when ordering this cabinet kit flat pack.
- Rollout Shelf glides are side mounted ball bearing with no soft close.

Model	Description	Width	Height	Depth
B24FH1RS	Cabinet Dimension	24	34½	24
	Door Dimension	11¾	29	¾
	Rollout Shelf	19½	3¾	20⅞
B27FH1RS	Cabinet Dimension	27	34½	24
	Door Dimension	13¾	29	¾
	Rollout Shelf	22½	3¾	20⅞
B30FH1RS	Cabinet Dimension	30	34½	24
	Door Dimension	14¾	29	¾
	Rollout Shelf	25¾	3¾	20⅞
B33FH1RS	Cabinet Dimension	33	34½	24
	Door Dimension	16¾	29	¾
	Rollout Shelf	28¾	3¾	20⅞
B36FH1RS	Cabinet Dimension	36	34½	24
	Door Dimension	17¾	29	¾
	Rollout Shelf	31¾	3¾	20⅞

51

Accessory Base Cabinets - Double Full Height Door Two Rollout Shelf Base Kit

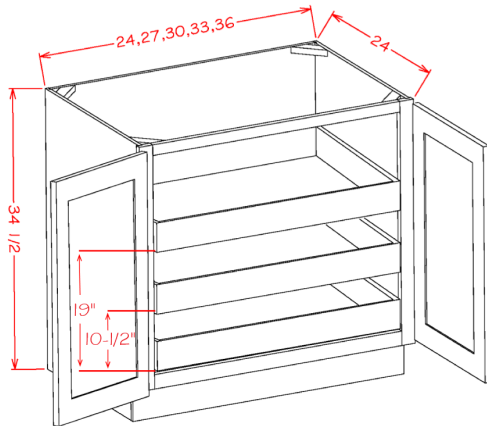


- Assembled cabinets with Rollout Shelf kits are ONLY installed as indicated in the line drawing
- Four boxes will be received when ordering this cabinet kit flat pack.
- Rollout Shelf glides are side mounted ball bearing with no soft close.

Model	Description	Width	Height	Depth
B24FH2RS	Cabinet Dimension	24	34½	24
	Door Dimension	11¾	29	¾
	Rollout Shelf	19½	3¾	20⅞
B27FH2RS	Cabinet Dimension	27	34½	24
	Door Dimension	13¾	29	¾
	Rollout Shelf	22½	3¾	20⅞
B30FH2RS	Cabinet Dimension	30	34½	24
	Door Dimension	14¾	29	¾
	Rollout Shelf	25¾	3¾	20⅞
B33FH2RS	Cabinet Dimension	33	34½	24
	Door Dimension	16¾	29	¾
	Rollout Shelf	28¾	3¾	20⅞
B36FH2RS	Cabinet Dimension	36	34½	24
	Door Dimension	17¾	29	¾
	Rollout Shelf	31¾	3¾	20⅞

PRODUCT SPECIFICATIONS

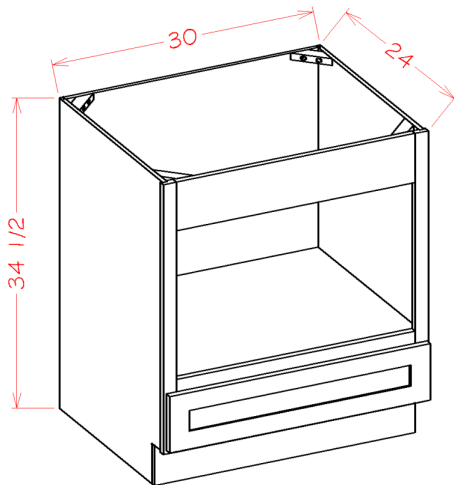
Accessory Base Cabinets - Double Full Height Door Three Rollout Shelf Base Kit



- Assembled cabinets with Rollout Shelf kits are ONLY installed as indicated in the line drawing
- Five boxes will be received when ordering this cabinet kit flat pack.
- Rollout Shelf glides are side mounted ball bearing with no soft close.

Model	Description	Width	Height	Depth
B24FH3RS	Cabinet Dimension	24	34½	24
	Door Dimension	11¾	29	¾
	Rollout Shelf	19½	3⅜	20⅞
B27FH3RS	Cabinet Dimension	27	34½	24
	Door Dimension	13¾	29	¾
	Rollout Shelf	22½	3⅜	20⅞
B30FH3RS	Cabinet Dimension	30	34½	24
	Door Dimension	14¾	29	¾
	Rollout Shelf	25⅜	3⅜	20⅞
B33FH3RS	Cabinet Dimension	33	34½	24
	Door Dimension	16¾	29	¾
	Rollout Shelf	28⅜	3⅜	20⅞
B36FH3RS	Cabinet Dimension	36	34½	24
	Door Dimension	17¾	29	¾
	Rollout Shelf	31⅜	3⅜	20⅞

Specialty Bases - Base Microwave Cabinet

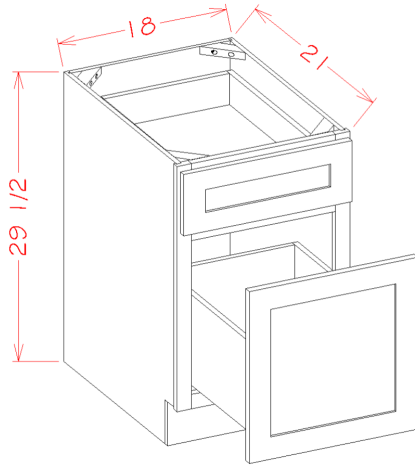


Model	Description	Width	Height	Depth
BMW30	Cabinet Dimension	30	34½	24
	Microwave Opening	26½	16½	23
	Drawer Front	29½	6¼	¾
	Drawer Box	26	3⅜	21

- Microwave Opening trimmable to 20⅞" High

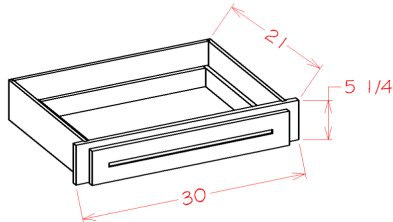
PRODUCT SPECIFICATIONS

Specialty Bases - Drawer File Base



Model	Description	Width	Height	Depth
DFB18	Cabinet Dimension	18	29½	21
	Top Drawer Front	17½	6¼	¾
	Bottom Drawer Front	17½	17½	¾
	Top Drawer Box	14	3¾	17¾
	Bottom Drawer Box	14	9¼	17¾

Specialty Bases - Desk Knee Drawer

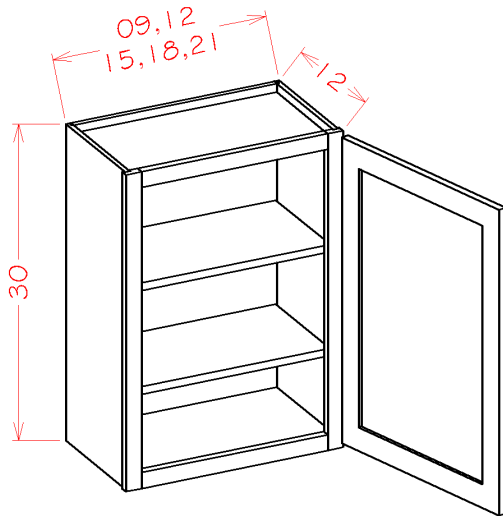


Model	Description	Width	Height	Depth
DKD30	Cabinet Dimension	30	5¼	21
	Drawer Front	26	4¾	¾
	Drawer Box	23	3¼	17¾

- Trimmable to 27" wide

PRODUCT SPECIFICATIONS

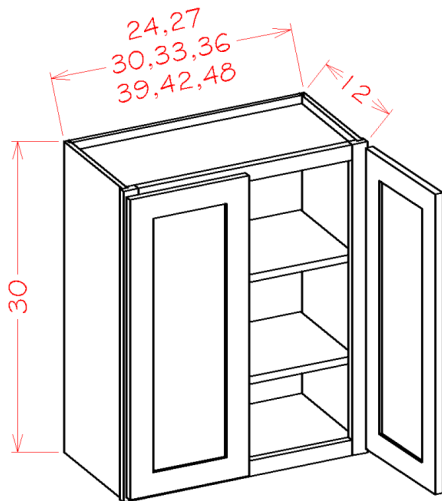
30" High Wall Cabinets - Single Door *2 adjustable Shelves



Model	Description	Width	Height	Depth
W0930	Cabinet Dimension	9	30	12
	Door Dimension	8½	29	¾
W1230	Cabinet Dimension	12	30	12
	Door Dimension	11½	29	¾
W1530	Cabinet Dimension	15	30	12
	Door Dimension	14½	29	¾
W1830	Cabinet Dimension	18	30	12
	Door Dimension	17½	29	¾
W2130	Cabinet Dimension	21	30	12
	Door Dimension	20½	29	¾

54

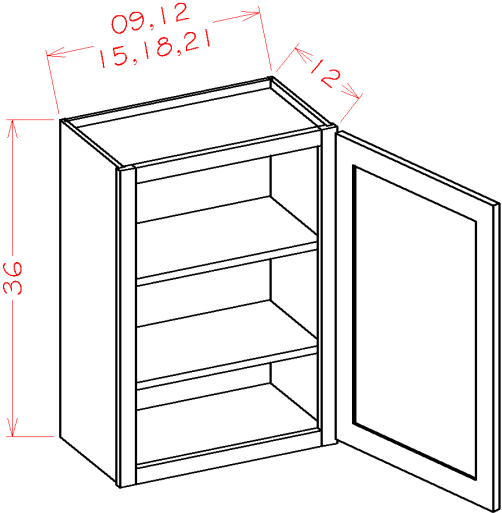
30" High Wall Cabinets - Double Door *2 adjustable Shelves



Model	Description	Width	Height	Depth
W2430	Cabinet Dimension	24	30	12
	Door Dimension	11¾	29	¾
W2730	Cabinet Dimension	27	30	12
	Door Dimension	13¾	29	¾
W3030	Cabinet Dimension	30	30	12
	Door Dimension	14¾	29	¾
W3330	Cabinet Dimension	33	30	12
	Door Dimension	16¾	29	¾
W3630	Cabinet Dimension	36	30	12
	Door Dimension	17¾	29	¾

PRODUCT SPECIFICATIONS

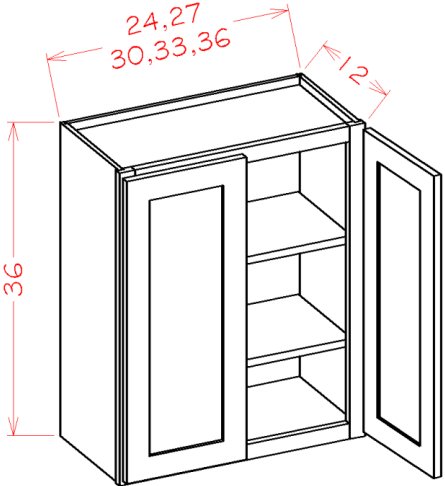
36" High Wall Cabinets - Single Door *2 adjustable Shelves



Model	Description	Width	Height	Depth
W0936	Cabinet Dimension	9	36	12
	Door Dimension	8½	35	¾
W1236	Cabinet Dimension	12	36	12
	Door Dimension	11½	35	¾
W1536	Cabinet Dimension	15	36	12
	Door Dimension	14½	35	¾
W1836	Cabinet Dimension	18	36	12
	Door Dimension	17½	35	¾
W2136	Cabinet Dimension	21	36	12
	Door Dimension	20½	35	¾

55

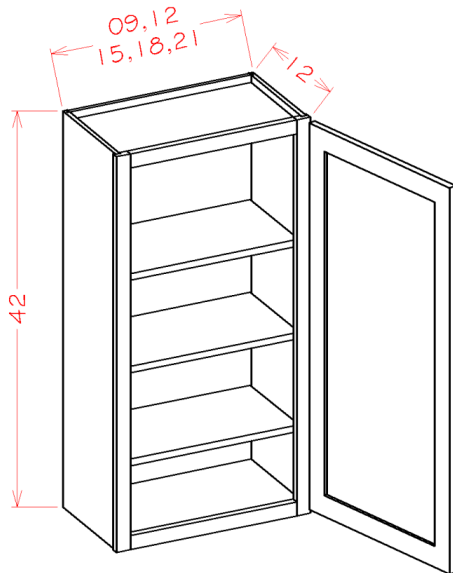
36" High Wall Cabinets - Double Door *2 adjustable Shelves



Model	Description	Width	Height	Depth
W2436	Cabinet Dimension	24	36	12
	Door Dimension	11¾	35	¾
W2736	Cabinet Dimension	27	36	12
	Door Dimension	13¼	35	¾
W3036	Cabinet Dimension	30	36	12
	Door Dimension	14¾	35	¾
W3336	Cabinet Dimension	33	36	12
	Door Dimension	16¼	35	¾
W3636	Cabinet Dimension	36	36	12
	Door Dimension	17¾	35	¾

PRODUCT SPECIFICATIONS

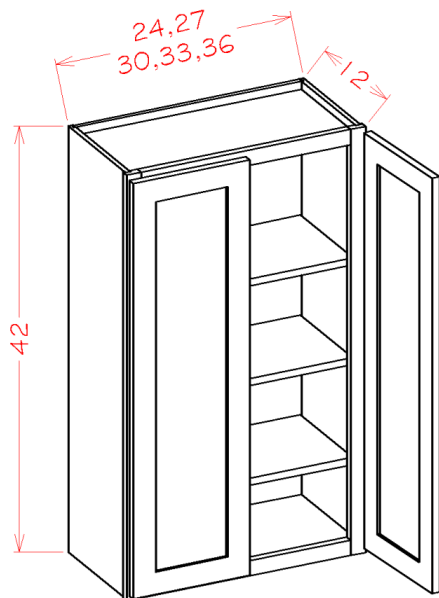
42" High Wall Cabinets - Single Door *3 adjustable Shelves



Model	Description	Width	Height	Depth
W0942	Cabinet Dimension	9	42	12
	Door Dimension	8½	41	¾
W1242	Cabinet Dimension	12	42	12
	Door Dimension	11½	41	¾
W1542	Cabinet Dimension	15	42	12
	Door Dimension	14½	41	¾
W1842	Cabinet Dimension	18	42	12
	Door Dimension	17½	41	¾
W2142	Cabinet Dimension	21	42	12
	Door Dimension	20½	41	¾

56

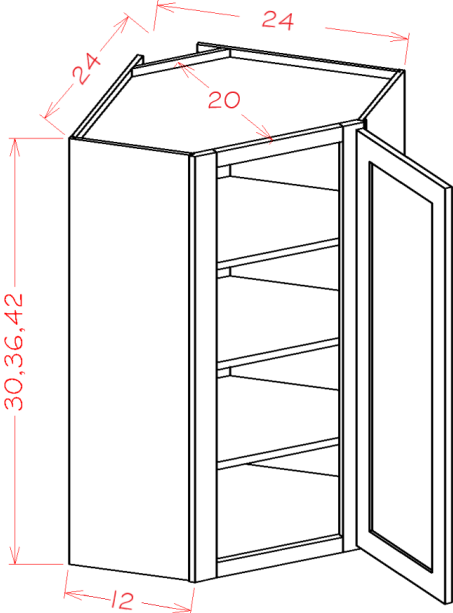
42" High Wall Cabinets - Double Door *3 adjustable Shelves



Model	Description	Width	Height	Depth
W2442	Cabinet Dimension	24	42	12
	Door Dimension	11¾	41	¾
W2742	Cabinet Dimension	27	42	12
	Door Dimension	13¼	41	¾
W3042	Cabinet Dimension	30	42	12
	Door Dimension	14¾	41	¾
W3342	Cabinet Dimension	33	42	12
	Door Dimension	16¼	41	¾
W3642	Cabinet Dimension	36	42	12
	Door Dimension	17¾	41	¾

PRODUCT SPECIFICATIONS

Diagonal Corner Wall Cabinets

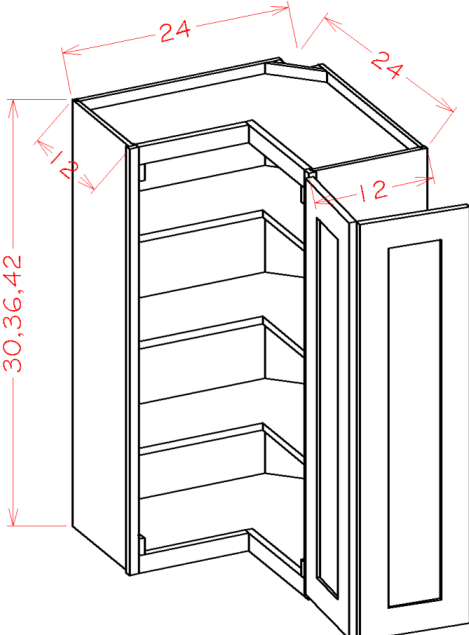


Model	Description	Width	Height	Depth
DCW2430	Cabinet Dimension	24	30	12
	Door Dimension	15 $\frac{1}{4}$	29	$\frac{3}{4}$
DCW2436	Cabinet Dimension	24	36	12
	Door Dimension	15 $\frac{1}{4}$	35	$\frac{3}{4}$
DCW2442	Cabinet Dimension	24	42	12
	Door Dimension	15 $\frac{1}{4}$	41	$\frac{3}{4}$

- DCW Inside Openings are 12 $\frac{1}{8}$ " Wide
- 30 and 36"H cabinets only have two shelves.

57

Wall Easy Reach

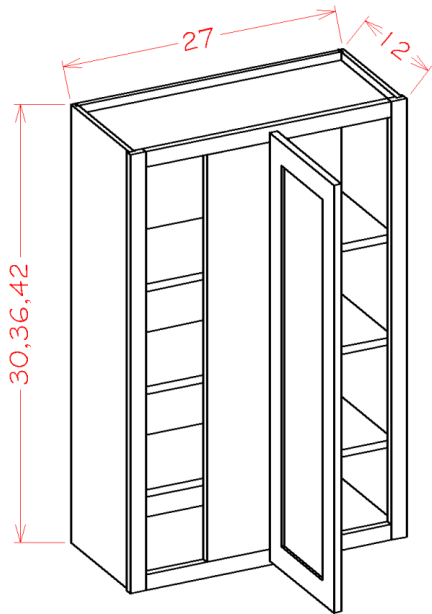


Model	Description	Width	Height	Depth
WER2430	Cabinet Dimension	24	30	12
	Door Dimension	10 $\frac{5}{8}$	29	$\frac{3}{4}$
WER2436	Cabinet Dimension	24	36	12
	Door Dimension	10 $\frac{5}{8}$	35	$\frac{3}{4}$
WER2442	Cabinet Dimension	24	42	12
	Door Dimension	10 $\frac{5}{8}$	41	$\frac{3}{4}$

- 30 and 36"H cabinets only have two shelves.

PRODUCT SPECIFICATIONS

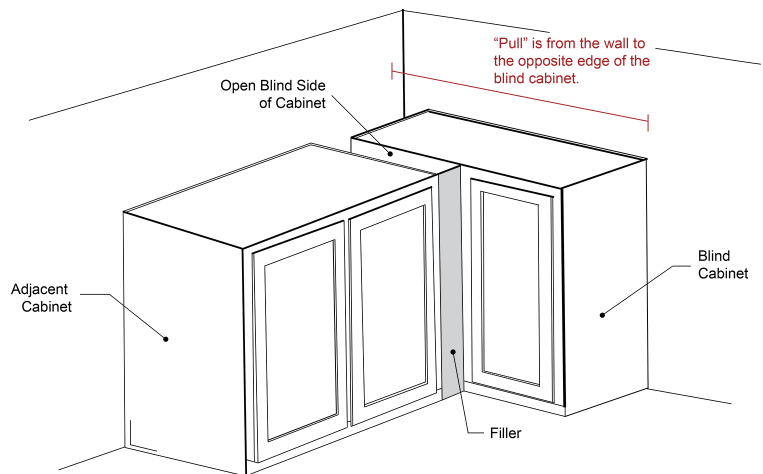
Wall Blind Cabinets



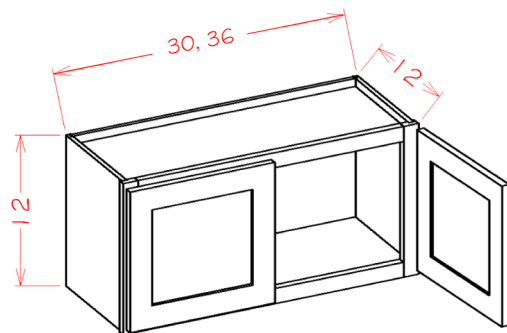
Model	Description	Width	Height	Depth
WBC2730	Cabinet Dimension	27	30	12
	Door Dimension	12½	29	¾
	Door Opening	7¾	26½	12
WBC2736	Cabinet Dimension	27	36	12
	Door Dimension	12½	35	¾
	Door Opening	7¾	32½	12
WBC2742	Cabinet Dimension	27	42	12
	Door Dimension	12½	41	¾
	Door Opening	7¾	38½	12

Box Size	Min	Max	Stile
27	28	31	8

- Must Use Filler (not supplied)



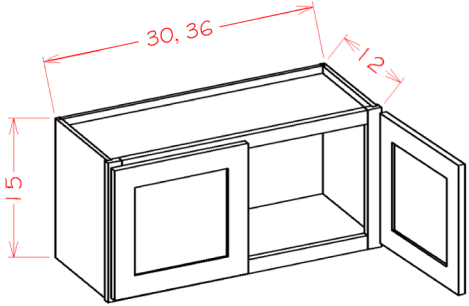
Bridge Cabinets - 12" High



Model	Description	Width	Height	Depth
W3012	Cabinet Dimension	30	12	12
	Door Dimension	14¾	11	¾
W3612	Cabinet Dimension	36	12	12
	Door Dimension	17¾	11	¾

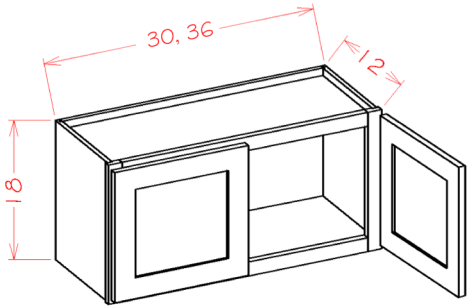
PRODUCT SPECIFICATIONS

Bridge Cabinets - 15" High



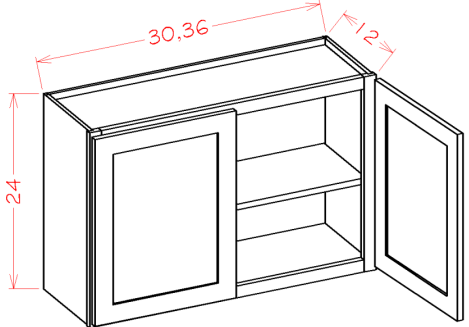
Model	Description	Width	Height	Depth
W3015	Cabinet Dimension	30	15	12
	Door Dimension	14 ³ / ₄	14	³ / ₄
W3615	Cabinet Dimension	36	15	12
	Door Dimension	17 ³ / ₄	14	³ / ₄

Bridge Cabinets - 18" High



Model	Description	Width	Height	Depth
W3018	Cabinet Dimension	30	18	12
	Door Dimension	14 ³ / ₄	17	³ / ₄
W3618	Cabinet Dimension	36	18	12
	Door Dimension	17 ³ / ₄	17	³ / ₄

Bridge Cabinets - 24" High

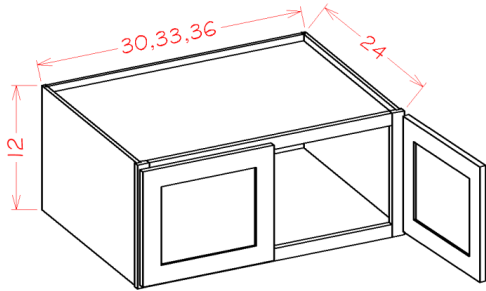


Model	Description	Width	Height	Depth
W3024	Cabinet Dimension	30	24	12
	Door Dimension	14 ³ / ₄	23	³ / ₄
W3624	Cabinet Dimension	36	24	12
	Door Dimension	17 ³ / ₄	23	³ / ₄

- All 24" High Cabinets Include One Inner Shelf

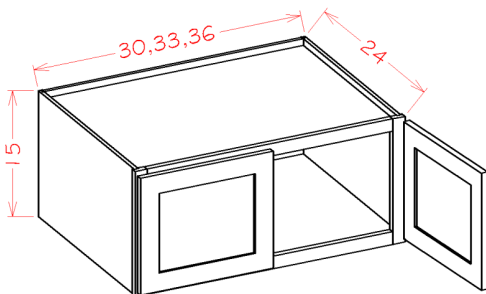
PRODUCT SPECIFICATIONS

Wall Refrigerator Cabinets - 12" H (24" deep)



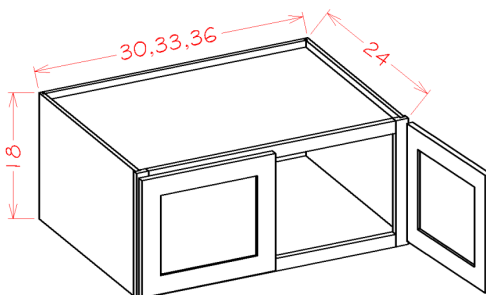
Model	Description	Width	Height	Depth
W301224	Cabinet Dimension	30	12	24
	Door Dimension	14 ³ / ₄	11	³ / ₄
W331224	Cabinet Dimension	33	12	24
	Door Dimension	16 ¹ / ₂	11	³ / ₄
W361224	Cabinet Dimension	36	12	24
	Door Dimension	17 ³ / ₄	11	³ / ₄

Wall Refrigerator Cabinets - 15" H (24" deep)



Model	Description	Width	Height	Depth
W301524	Cabinet Dimension	30	15	24
	Door Dimension	14 ³ / ₄	14	³ / ₄
W331524	Cabinet Dimension	33	15	24
	Door Dimension	16 ¹ / ₂	14	³ / ₄
W361524	Cabinet Dimension	36	15	24
	Door Dimension	17 ³ / ₄	14	³ / ₄

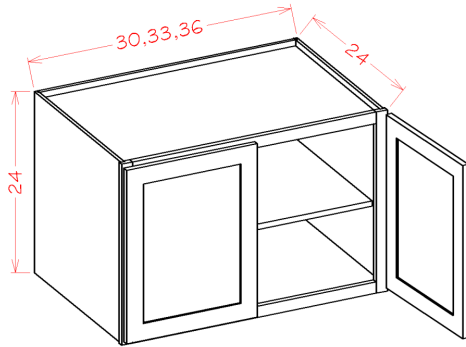
Wall Refrigerator Cabinets - 18" H (24" deep)



Model	Description	Width	Height	Depth
W301824	Cabinet Dimension	30	18	24
	Door Dimension	14 ³ / ₄	17	³ / ₄
W331824	Cabinet Dimension	33	18	24
	Door Dimension	16 ¹ / ₂	17	³ / ₄
W361824	Cabinet Dimension	36	18	24
	Door Dimension	17 ³ / ₄	17	³ / ₄

PRODUCT SPECIFICATIONS

Wall Refrigerator Cabinets - 24" H (24" deep)

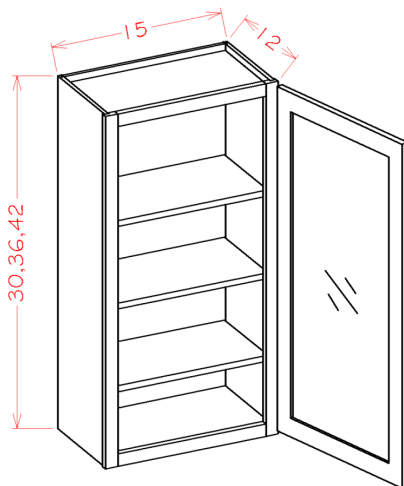


Model	Description	Width	Height	Depth
W302424	Cabinet Dimension	30	24	24
	Door Dimension	14¾	23	¾
W332424	Cabinet Dimension	33	24	24
	Door Dimension	16½	23	¾
W362424	Cabinet Dimension	36	24	24
	Door Dimension	17¾	23	¾

- All 24" High Cabinets Include One Inner Shelf

61

Glass Door Wall Cabinets - Single Door

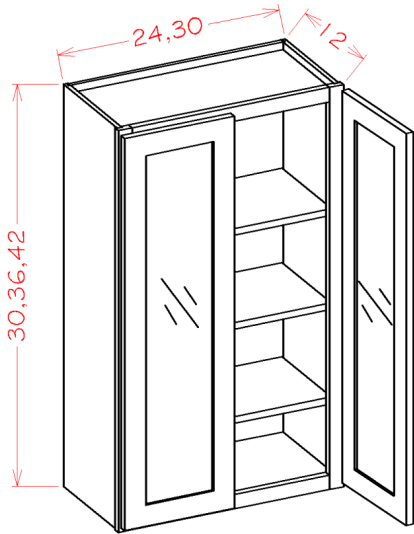


Model	Description	Width	Height	Depth
W1530GD	Cabinet Dimension	15	30	12
	Door Dimension	14½	29	¾
W1536GD	Cabinet Dimension	15	36	12
	Door Dimension	14½	35	¾
W1542GD	Cabinet Dimension	15	42	12
	Door Dimension	14½	41	¾

- These cabinets do not come with mullions or glass
- The interior is painted/stained to match the exterior

PRODUCT SPECIFICATIONS

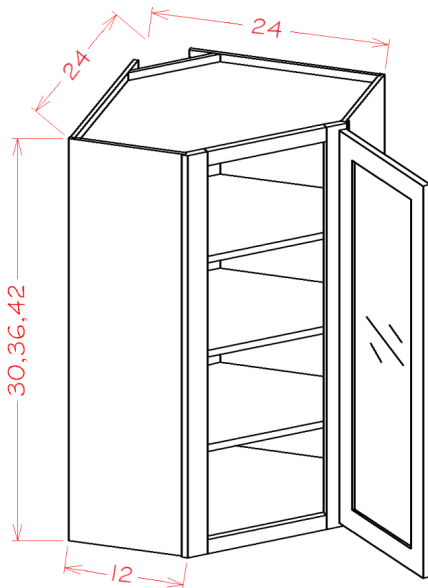
Glass Door Wall Cabinets - Double Door



Model	Description	Width	Height	Depth
W2430GD	Cabinet Dimension	24	30	12
	Door Dimension	11 ³ / ₄	29	³ / ₄
W2436GD	Cabinet Dimension	24	36	12
	Door Dimension	11 ³ / ₄	35	³ / ₄
W2442GD	Cabinet Dimension	24	42	12
	Door Dimension	11 ³ / ₄	41	³ / ₄
W3030GD	Cabinet Dimension	30	30	12
	Door Dimension	14 ³ / ₄	29	³ / ₄
W3036GD	Cabinet Dimension	30	36	12
	Door Dimension	14 ³ / ₄	35	³ / ₄
W3042GD	Cabinet Dimension	30	42	12
	Door Dimension	14 ³ / ₄	41	³ / ₄

- These cabinets do not come with mullions or glass
- The interior is painted/stained to match the exterior

Glass Door Diagonal Wall Cabinet

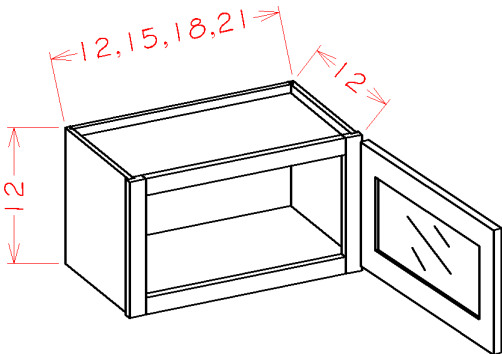


Model	Description	Width	Height	Depth
DCW2430GD	Cabinet Dimension	24	30	12
	Door Dimension	15 ¹ / ₄	29	³ / ₄
DCW2436GD	Cabinet Dimension	24	36	12
	Door Dimension	15 ¹ / ₄	35	³ / ₄
DCW2442GD	Cabinet Dimension	24	42	12
	Door Dimension	15 ¹ / ₄	41	³ / ₄

- These cabinets do not come with mullions or glass
- The interior is painted/stained to match the exterior
- DCW Inside Openings are 12¹/₈" Wide

PRODUCT SPECIFICATIONS

Glass Door Wall Stacker Cabinets 12"H - Single Door

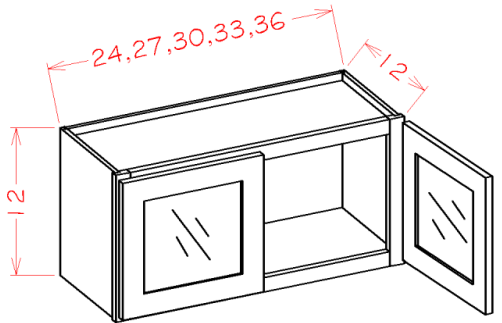


Model	Description	Width	Height	Depth
W1212GD	Cabinet Dimension	12	12	12
	Door Dimension	11½	11	¾
W1512GD	Cabinet Dimension	15	12	12
	Door Dimension	14½	11	¾
W1812GD	Cabinet Dimension	18	12	12
	Door Dimension	17½	11	¾
W2112GD	Cabinet Dimension	21	12	12
	Door Dimension	20½	11	¾

- These cabinets do not come with mullions or glass
- The interior is painted/stained to match the exterior

63

Glass Door Wall Stacker Cabinets 12"H - Double Door

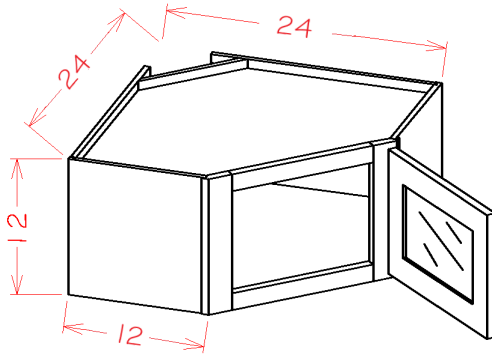


Model	Description	Width	Height	Depth
W2412GD	Cabinet Dimension	24	12	12
	Door Dimension	11¾	11	¾
W2712GD	Cabinet Dimension	27	12	12
	Door Dimension	13¾	11	¾
W3012GD	Cabinet Dimension	30	12	12
	Door Dimension	14¾	11	¾
W3312GD	Cabinet Dimension	33	12	12
	Door Dimension	16¾	11	¾
W3612GD	Cabinet Dimension	36	12	12
	Door Dimension	17¾	11	¾

- These cabinets do not come with mullions or glass
- The interior is painted/stained to match the exterior

PRODUCT SPECIFICATIONS

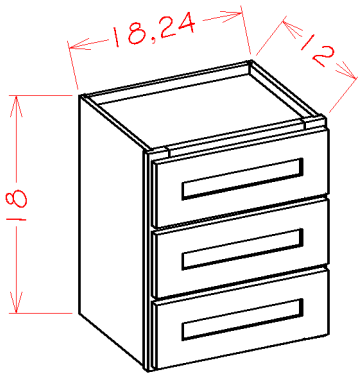
Glass Door Diagonal Wall Stacker Cabinets 12" H



Model	Description	Width	Height	Depth
DCW2412GD	Cabinet Dimension	24	12	12
	Door Dimension	15¼	11	¾

- These cabinets do not come with mullions or glass
- The interior is painted/stained to match the exterior

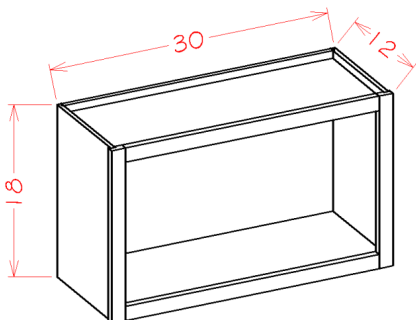
Wall Accessory Cabinets - Three Drawer Tower Stacking Cabinet



Model	Description	Width	Height	Depth
W3D18	Cabinet Dimension	18	18	12
	Drawer Front	17½	5⅜	¾
	Drawer Box	13½	2	9⅞
W3D24	Cabinet Dimension	24	18	12
	Drawer Front	23½	5⅜	¾
	Drawer Box	19½	2	9⅞

- Side mounted ball bearing glides with no soft close

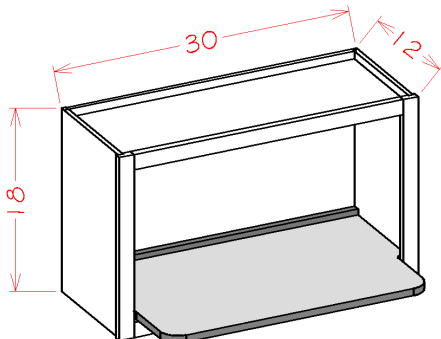
Wall Accessory Cabinets - Wall Open Cabinet



Model	Description	Width	Height	Depth
WOC3018	Cabinet Dimension	30	18	12
	No Doors	N/A	N/A	N/A

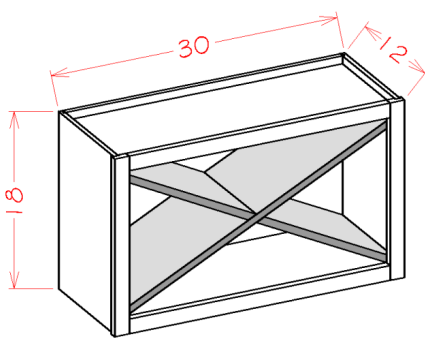
PRODUCT SPECIFICATIONS

Wall Accessory Cabinets - Wall Open Cabinet Microwave Shelf Insert



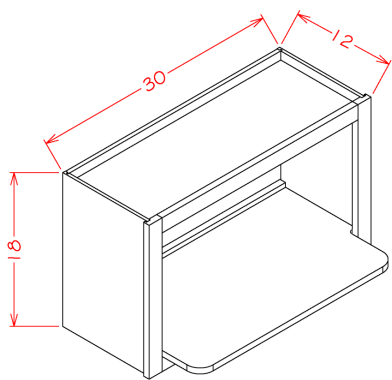
Model	Description	Width	Height	Depth
WMSSHELF	Installed Shelf Dimension	26½	¾	17

Wall Accessory Cabinets - Wall Open Cabinet - X Rack Insert



Model	Description	Width	Height	Depth
WXRSHELF	Installed Shelf Dimension	26½	14½	11

Wall Accessory Cabinets - Wall Microwave Cabinet Kits

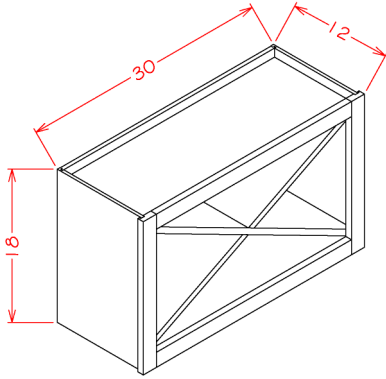


Model	Description	Width	Height	Depth
WMS3018	Cabinet Dimension	30	18	12
	Shelf Dimension	26½	¾	17

- Two boxes will be received when ordering this cabinet kit flat pack.

PRODUCT SPECIFICATIONS

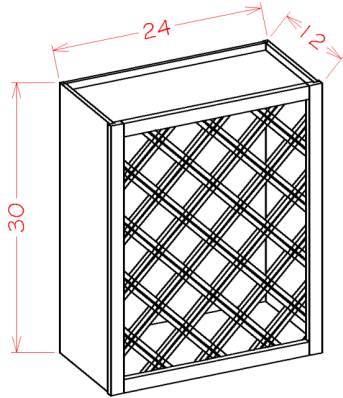
Wall Accessory Cabinets - Wall X Rack Cabinet Kit



Model	Description	Width	Height	Depth
WXR3018	Cabinet Dimension	30	18	12
	Shelf Dimension	26½	14½	11

- Two boxes will be received when ordering this cabinet kit flat pack.

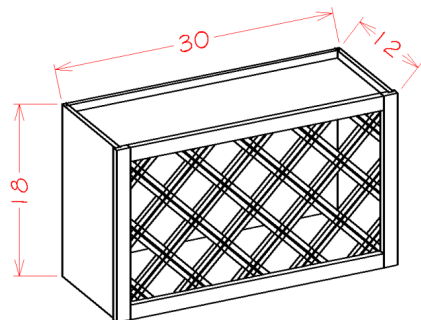
Wall Accessory Cabinets - Wine Rack



Model	Description	Width	Height	Depth
WRC2430	Cabinet Dimension	24	30	12

- Fits 17 Bottles
- For optimal functionality, insert rear lattice 1-1/2" from the back of the cabinet.

Wall Accessory Cabinets - Wine Rack

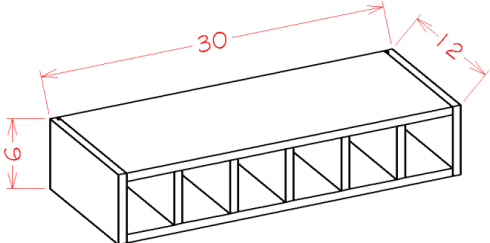


Model	Description	Width	Height	Depth
WRC3018	Cabinet Dimension	30	18	12

- Fits 10 Bottles
- For optimal functionality, insert rear lattice 1-1/2" from the back of the cabinet.

PRODUCT SPECIFICATIONS

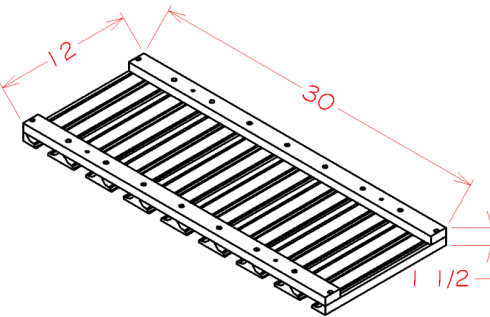
Wall Accessory Cabinets - Wine Cubby



Model	Description	Width	Height	Depth
WWC630	Cabinet Dimension	30	6	12

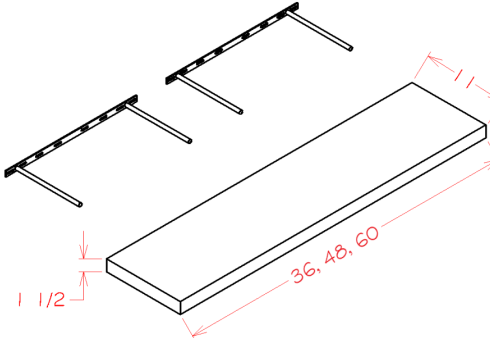
- Fits 6 Bottles

Specialty Wall - Stem Glass Holder



Model	Description	Width	Height	Depth
SGH30	Dimension	30	1½	12

Specialty Wall - Floating Shelves

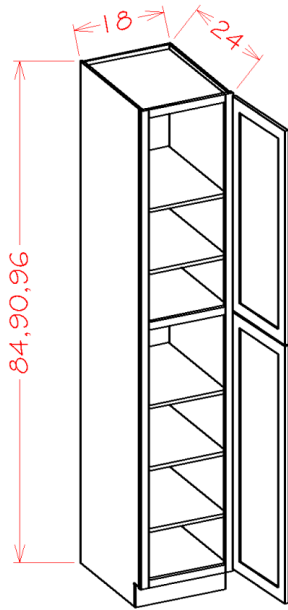


Model	Description	Width	Height	Depth
FS36	Dimension	36	1½	11
FS48	Dimension	48	1½	11
FS60	Dimension	60	1½	11

- 36"W floating shelf only has one mounting bracket.
- Recommended Max Weight: 25 lbs

PRODUCT SPECIFICATIONS

Utility Cabinets - Two Doors

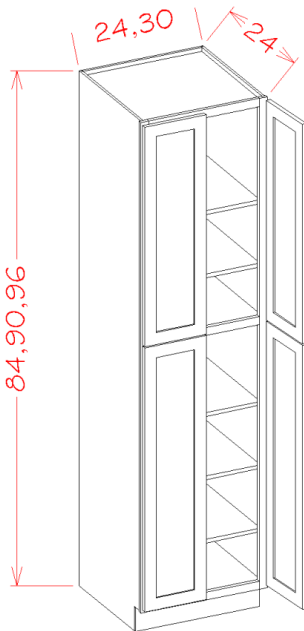


Model	Description	Width	Height	Depth
U188424	Cabinet Dimension	18	84	24
	Top Door Dimension	17½	29	¾
	Bottom Door Dimension	17½	49¼	¾
U189024	Cabinet Dimension	18	90	24
	Top Door Dimension	17½	35	¾
	Bottom Door Dimension	17½	49¼	¾
U189624	Cabinet Dimension	18	96	24
	Top Door Dimension	17½	41	¾
	Bottom Door Dimension	17½	49¼	¾

- Shaker & Torrance doors have a horizontal rail in the center of the bottom door.

68

Utility Cabinets - Four Doors

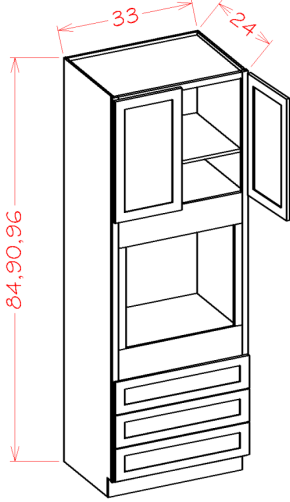


Model	Description	Width	Height	Depth
U248424	Cabinet Dimension	24	84	24
	Top Door Dimension	11¾	29	¾
	Bottom Door Dimension	11¾	49¼	¾
U249024	Cabinet Dimension	24	90	24
	Top Door Dimension	11¾	35	¾
	Bottom Door Dimension	11¾	49¼	¾
U249624	Cabinet Dimension	24	96	24
	Top Door Dimension	11¾	41	¾
	Bottom Door Dimension	11¾	49¼	¾
U309024	Cabinet Dimension	30	90	24
	Top Door Dimension	14¾	35	¾
	Bottom Door Dimension	14¾	49¼	¾
U309624	Cabinet Dimension	30	96	24
	Top Door Dimension	14¾	41	¾
	Bottom Door Dimension	14¾	49¼	¾

- Shaker & Torrance doors have a horizontal rail in the center of the bottom door.

PRODUCT SPECIFICATIONS

Oven Cabinets

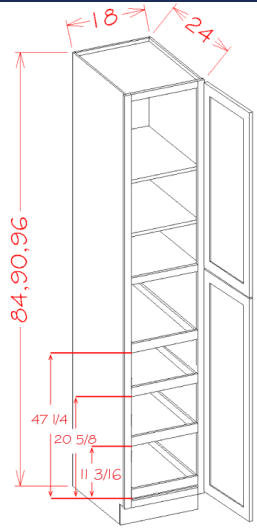


Model	Description	Width	Height	Depth
O338424	Cabinet Dimension	33	84	24
	Door Dimension	16¼	17	¾
	Drawer Fronts	32½	7¾	¾
	Drawer Boxes	29	5⅛	20¾
	Oven Opening	26½	24¾	22¾
O339024	Cabinet Dimension	33	90	24
	Door Dimension	16¼	23	¾
	Drawer Fronts	32½	7¾	¾
	Drawer Boxes	29	5⅛	20¾
	Oven Opening	26½	24¾	22¾
O339624	Cabinet Dimension	33	96	24
	Door Dimension	16¼	29	¾
	Drawer Fronts	32½	7¾	¾
	Drawer Boxes	29	5⅛	20¾
	Oven Opening	26½	24¾	22¾

- Oven opening can be modified to accommodate a double oven
- Height up to 40" with removal of top drawers/cut down of top rails
- Width up to 31½" wide with cut down of stiles

69

Accessory Tall Cabinets - Two Door Utility Four Rollout Shelf Cabinet Kit

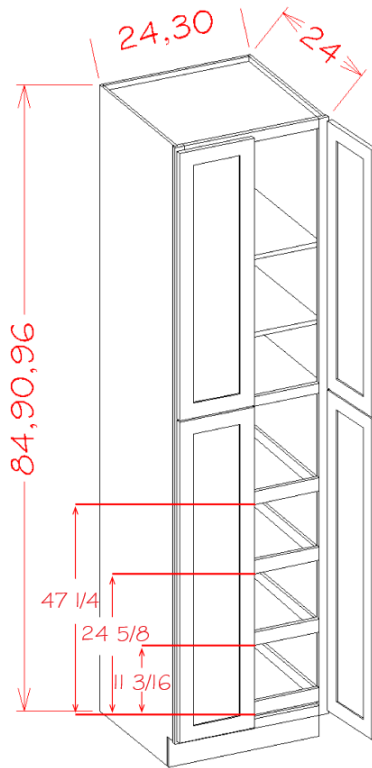


Model	Description	Width	Height	Depth
U188424RS	Cabinet Dimension	18	84	24
	Top Door Dimension	17½	29	¾
	Bottom Door Dimension	17½	49¼	¾
	Rollout Shelf	13¾	3¾	20⅞
U189024RS	Cabinet Dimension	18	90	24
	Top Door Dimension	17½	35	¾
	Bottom Door Dimension	17½	49¼	¾
	Rollout Shelf	13¾	3¾	20⅞
U189624RS	Cabinet Dimension	18	96	24
	Top Door Dimension	17½	41	¾
	Bottom Door Dimension	17½	49¼	¾
	Rollout Shelf	13¾	3¾	20⅞

- Shaker & Torrance doors have a horizontal rail in the center of the bottom door.
- Assembled cabinets with Rollout Shelf kits are ONLY installed as indicated in the line drawing
- Five boxes will be received when ordering this cabinet kit flat pack.
- Rollout Shelf glides are side mounted ball bearing with no soft close.

PRODUCT SPECIFICATIONS

Accessory Tall Cabinets - Four Door Utility Four Rollout Shelf Cabinet Kit

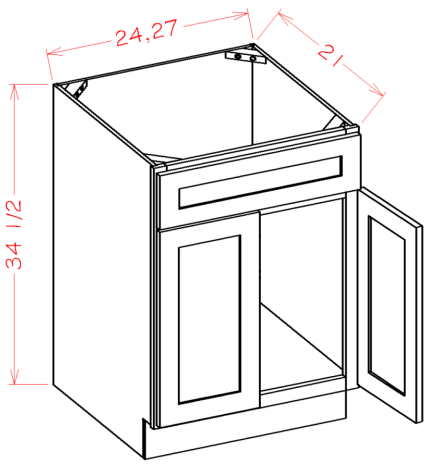


Model	Description	Width	Height	Depth
U2484244RS	Cabinet Dimension	24	84	24
	Top Door Dimension	11 $\frac{3}{4}$	29	$\frac{3}{4}$
	Bottom Door Dimension	11 $\frac{3}{4}$	49 $\frac{1}{4}$	$\frac{3}{4}$
	Rollout Shelf	19 $\frac{1}{2}$	3 $\frac{3}{8}$	20 $\frac{7}{16}$
U2490244RS	Cabinet Dimension	24	90	24
	Top Door Dimension	11 $\frac{3}{4}$	35	$\frac{3}{4}$
	Bottom Door Dimension	11 $\frac{3}{4}$	49 $\frac{1}{4}$	$\frac{3}{4}$
	Rollout Shelf	19 $\frac{1}{2}$	3 $\frac{3}{8}$	20 $\frac{7}{16}$
U2496244RS	Cabinet Dimension	24	96	24
	Top Door Dimension	11 $\frac{3}{4}$	41	$\frac{3}{4}$
	Bottom Door Dimension	11 $\frac{3}{4}$	49 $\frac{1}{4}$	$\frac{3}{4}$
	Rollout Shelf	19 $\frac{1}{2}$	3 $\frac{3}{8}$	20 $\frac{7}{16}$
U3090244RS	Cabinet Dimension	30	90	24
	Top Door Dimension	14 $\frac{3}{4}$	35	$\frac{3}{4}$
	Bottom Door Dimension	14 $\frac{3}{4}$	49 $\frac{1}{4}$	$\frac{3}{4}$
	Rollout Shelf	25 $\frac{3}{8}$	3 $\frac{3}{8}$	20 $\frac{7}{16}$
U3096244RS	Cabinet Dimension	30	96	24
	Top Door Dimension	14 $\frac{3}{4}$	41	$\frac{3}{4}$
	Bottom Door Dimension	14 $\frac{3}{4}$	49 $\frac{1}{4}$	$\frac{3}{4}$
	Rollout Shelf	25 $\frac{3}{8}$	3 $\frac{3}{8}$	20 $\frac{7}{16}$

- Shaker & Torrance doors have a horizontal rail in the center of the bottom door.
- Assembled cabinets with Rollout Shelf kits are ONLY installed as indicated in the line drawing
- Five boxes will be received when ordering this cabinet kit flat pack.
- Rollout Shelf glides are side mounted ball bearing with no soft close.

PRODUCT SPECIFICATIONS

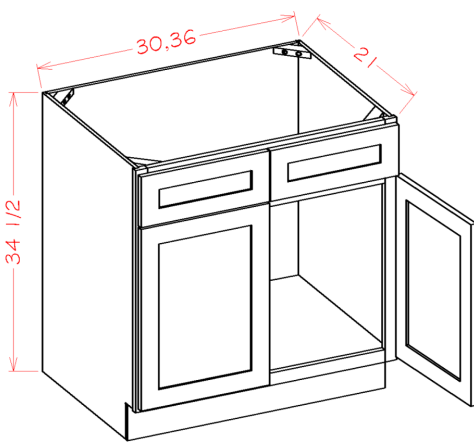
Vanity Sink Bases - Double Door Single Drawer Front



Model	Description	Width	Height	Depth
VS24	Cabinet Dimension	24	34½	21
	Door Dimension	11¾	22½	¾
	Drawer Front	23½	6¼	¾
VS27	Cabinet Dimension	27	34½	21
	Door Dimension	13¾	22½	¾
	Drawer Front	26½	6¼	¾

71

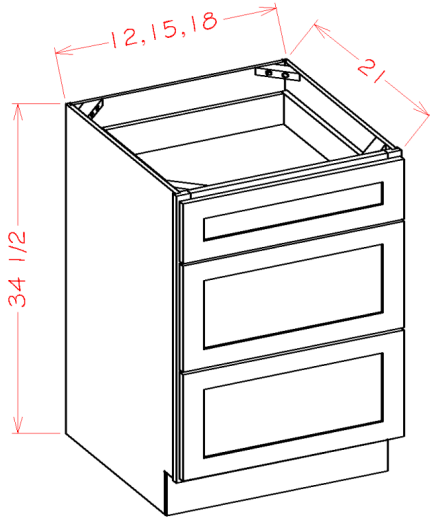
Vanity Sink Bases - Double Door Double Drawer Front



Model	Description	Width	Height	Depth
VS30	Cabinet Dimension	30	34½	21
	Door Dimension	14¾	22½	¾
	Drawer Front	14¾	6¼	¾
VS36	Cabinet Dimension	36	34½	21
	Door Dimension	17¾	22½	¾
	Drawer Front	17¾	6¼	¾

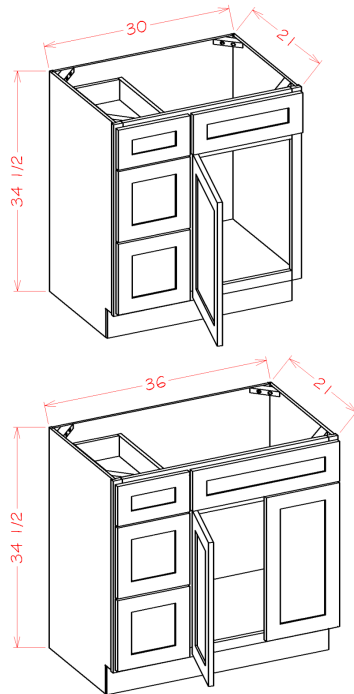
PRODUCT SPECIFICATIONS

Vanity Drawer Bases



Model	Description	Width	Height	Depth
3VDB12	Cabinet Dimension	12	34½	21
	Top Drawer Front	11½	6¼	¾
	Bottom Drawer Front	11½	11⅛	¾
	Top Drawer Box	8	3¾	17¾
	Bottom Drawer Box	8	8¼	17¾
3VDB15	Cabinet Dimension	15	34½	21
	Top Drawer Front	14½	6¼	¾
	Bottom Drawer Front	14½	11⅛	¾
	Top Drawer Box	11	3¾	17¾
	Bottom Drawer Box	11	8¼	17¾
3VDB18	Cabinet Dimension	18	34½	21
	Top Drawer Front	17½	6¼	¾
	Bottom Drawer Front	17½	11⅛	¾
	Top Drawer Box	14	3¾	17¾
	Bottom Drawer Box	14	8¼	17¾

Vanity Combo Bases - Drawers Left



Model	Description	Width	Height	Depth
V3021DL	Cabinet Dimension	30	34½	21
	Top Drawer Front	11½	6¼	¾
	Bottom Drawer Front	11½	11⅛	¾
	Top Long Drawer Front	17½	6¼	¾
	Top Drawer Box	8	3¾	18
	Bottom Drawer Box	8	8¼	18
	Door Dimension	17½	22½	¾
V3621DL	Cabinet Dimension	36	34½	21
	Top Drawer Front	11½	6¼	¾
	Bottom Drawer Front	11½	11⅛	¾
	Top Long Drawer Front	23½	6¼	¾
	Top Drawer Box	8	3¾	18
	Bottom Drawer Box	8	8¼	18
	Door Dimension	11¾	22½	¾

PRODUCT SPECIFICATIONS

Vanity Combo Bases - Drawers Right

Model	Description	Width	Height	Depth
V3021DR	Cabinet Dimension	30	34½	21
	Top Drawer Front	11½	6¼	¾
	Bottom Drawer Front	11½	11⅛	¾
	Top Long Drawer Front	17½	6¼	¾
	Top Drawer Box	8	3⅜	18
	Bottom Drawer Box	8	8¼	18
	Door Dimension	17½	22½	¾
V3621DR	Cabinet Dimension	36	34½	21
	Top Drawer Front	11½	6¼	¾
	Bottom Drawer Front	11½	11⅛	¾
	Top Long Drawer Front	23½	6¼	¾
	Top Drawer Box	8	3⅜	18
	Bottom Drawer Box	8	8¼	18
	Door Dimension	11¾	22½	¾

73

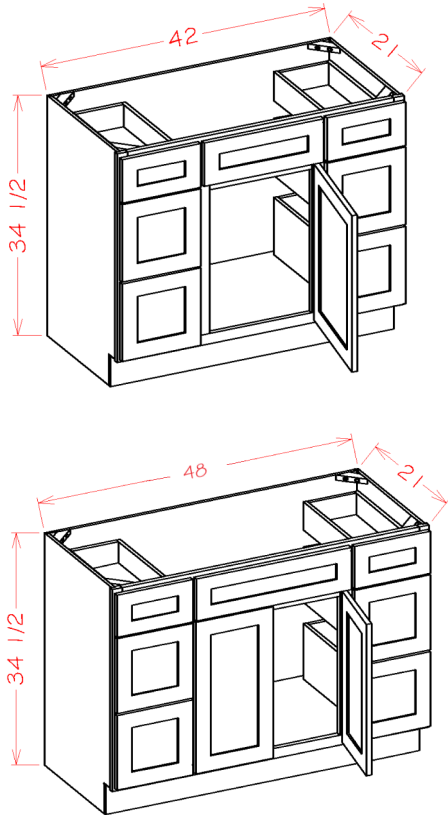
Vanity Combo Bases

Model	Description	Width	Height	Depth
VSD36	Cabinet Dimension	36	34½	21
	Door Dimension	17¾	22½	¾
	Outside Drawer Front	10¼	6¼	¾
	Center Drawer Front	14½	6¼	¾
	Drawer Box	7⅜	3¼	17⅜
VSD42	Cabinet Dimension	42	34½	21
	Door Dimension	20¾	22½	¾
	Outside Drawer Front	11½	6¼	¾
	Center Drawer Front	18	6¼	¾
	Drawer Box	8⅞	3¼	17⅜
VSD48	Cabinet Dimension	48	34½	21
	Door Dimension	23¾	22½	¾
	Outside Drawer Front	14½	6¼	¾
	Center Drawer Front	18	6¼	¾
	Drawer Box	11⅜	3¼	17⅜

- The VSD42 & 48 have a center stile.

PRODUCT SPECIFICATIONS

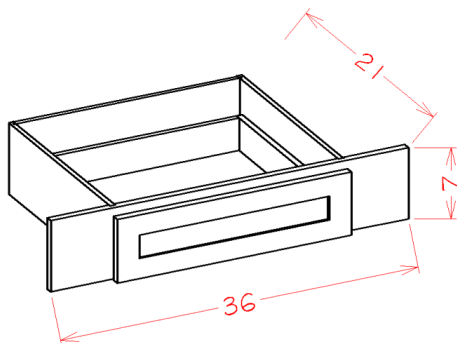
Vanity Combo Bases - Double Drawer Stack



Model	Description	Width	Height	Depth
VDDB42	Cabinet Dimension	42	34½	21
	Top Drawer Front	11½	6¼	¾
	Bottom Drawer Front	11½	11⅛	¾
	Top Long Drawer Front	17 ⁵ / ₈	6¼	¾
	Top Drawer Box	8½	3 ³ / ₈	18
	Bottom Drawer Box	8½	8¼	18
	Door Dimension	17 ⁵ / ₈	22½	¾
VDDB48	Cabinet Dimension	48	34½	21
	Top Drawer Front	11½	6¼	¾
	Bottom Drawer Front	11½	11⅛	¾
	Top Long Drawer Front	23 ⁵ / ₈	6¼	¾
	Top Drawer Box	8½	3 ³ / ₈	18
	Bottom Drawer Box	8½	8¼	18
	Door Dimension	11¾	22½	¾

74

Special Vanity - Vanity Knee Drawer

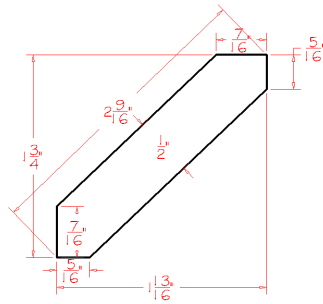


Model	Description	Width	Height	Depth
VKD36	Cabinet Dimension	36	7	21
	Drawer Front	23½	6¼	¾
	Drawer Box	19¾	3 ³ / ₈	17 ³ / ₈

- Trimmable to 27" wide

PRODUCT SPECIFICATIONS

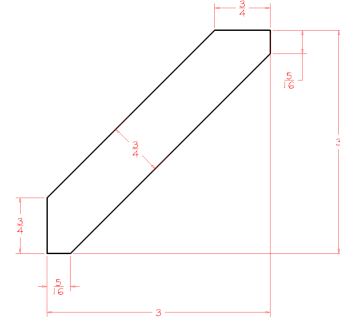
Crown Moulding - 1 3/4"H Angled Crown Moulding



Model	Description	Width	Height	Depth
ACM8	Dimension	96	1 3/4	1 13/16

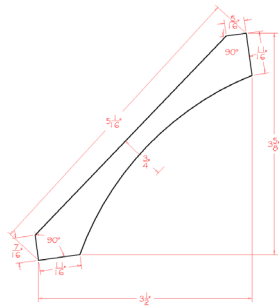
- Not available in Casselberry or York Styles

Crown Moulding - 3"H Angled Crown Moulding



Model	Description	Width	Height	Depth
LACM8	Dimension	96	3	3

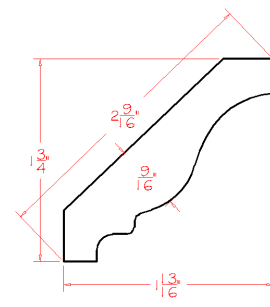
Crown Moulding - Cove Moulding



Model	Description	Width	Height	Depth
COV	Dimension	96	3 5/8	3 1/2

- Not available in Casselberry Styles

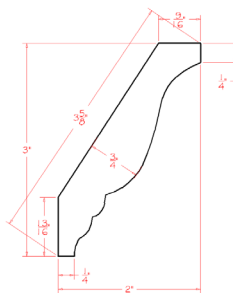
Crown Moulding - Classic Crown Moulding



Model	Description	Width	Height	Depth
CM8	Dimension	96	1 3/4	1 13/16

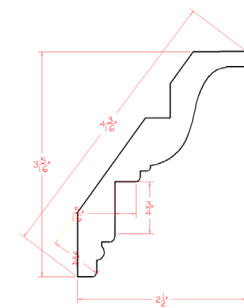
- Not available in Shaker or Torrance Styles

Crown Moulding - Decorative Crown Moulding



Model	Description	Width	Height	Depth
DCM	Dimension	96	3	2

Crown Moulding - Inset Crown Moulding

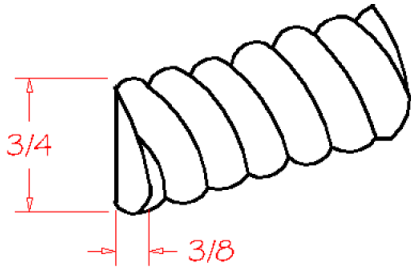


Model	Description	Width	Height	Depth
ICM	Dimension	96	3 5/16	2 1/2

- Not available in Shaker or Torrance Styles

PRODUCT SPECIFICATIONS

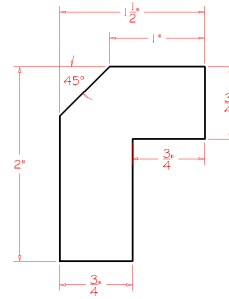
Mouldings - Rope Moulding



Model	Description	Width	Height	Depth
ROPE	Dimension	96	3/4	3/8

- Not available in Shaker or Torrance Styles

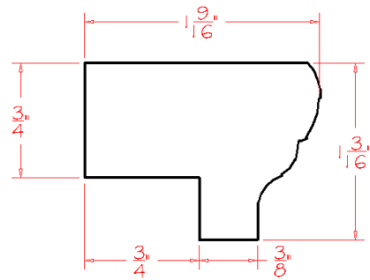
Mouldings - Angled Light Rail Moulding



Model	Description	Width	Height	Depth
ALRM	Dimension	96	1 1/2	2

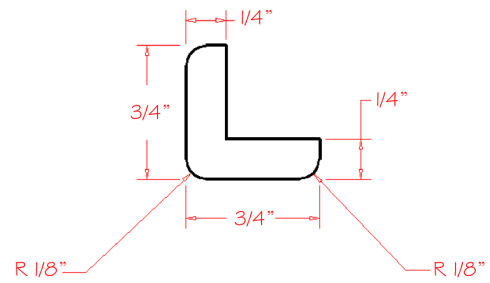
- Not available in Casselberry or York Styles

Mouldings - Light Rail Moulding



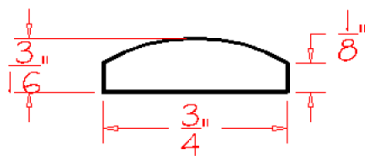
Model	Description	Width	Height	Depth
LRM	Dimension	96	1 3/16	1 9/16

Mouldings - Outside Corner Moulding



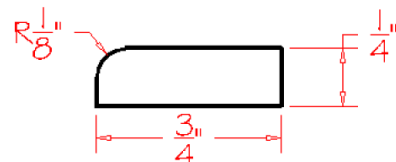
Model	Description	Width	Height	Depth
OCM	Dimension	96	3/4	3/4

Mouldings - Batten Moulding



Model	Description	Width	Height	Depth
BAM	Dimension	96	3/4	3/16

Mouldings - Scribe Moulding



Model	Description	Width	Height	Depth
SCR	Dimension	96	3/4	1/4

PRODUCT SPECIFICATIONS

Mouldings - Shoe Moulding

Model	Description	Width	Height	Depth
SHM	Dimension	96	3/4	1/2

Mouldings - Toe Kick Cover

Model	Description	Width	Height	Depth
TKC	Dimension	96	4 1/2	1/4

Mouldings - Furniture Base Moulding

Model	Description	Width	Height	Depth
FBM	Dimension	96	4 5/16	3/4

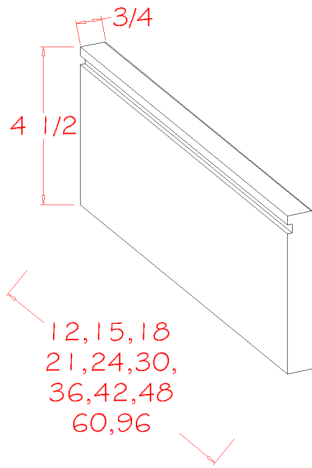
Toe Kick Apron Support

Model	Description	Width	Height	Depth
TAS12	Dimension	12	3/4	3 1/8
TAS15	Dimension	15	3/4	3 1/8
TAS18	Dimension	18	3/4	3 1/8
TAS21	Dimension	21	3/4	3 1/8
TAS24	Dimension	24	3/4	3 1/8
TAS30	Dimension	30	3/4	3 1/8
TAS36	Dimension	36	3/4	3 1/8
TAS42	Dimension	42	3/4	3 1/8
TAS48	Dimension	48	3/4	3 1/8
TAS60	Dimension	60	3/4	3 1/8
TAS96	Dimension	96	3/4	3 1/8

- Finished on all sides and edges
- Required for use with Toe Kick Apron Mouldings & Bun Feet

PRODUCT SPECIFICATIONS

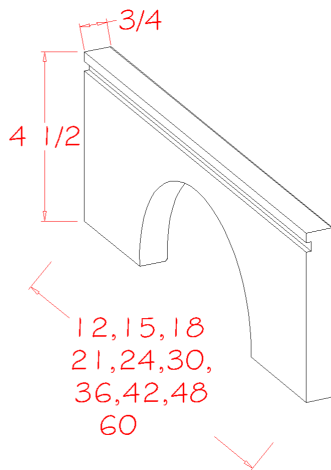
Toe Kick Apron Moulding



Model	Description	Width	Height	Depth
TAM12	Dimension	12	4½	¾
TAM15	Dimension	15	4½	¾
TAM18	Dimension	18	4½	¾
TAM21	Dimension	21	4½	¾
TAM24	Dimension	24	4½	¾
TAM30	Dimension	30	4½	¾
TAM36	Dimension	36	4½	¾
TAM42	Dimension	42	4½	¾
TAM48	Dimension	48	4½	¾
TAM60	Dimension	60	4½	¾
TAM96	Dimension	96	4½	¾

- Finished on all sides and edges
- Must be used with Toe Kick Apron Support (TAS)

Toe Kick Arched Apron Moulding



Model	Description	Width	Height	Depth
TAA12	Dimension	12	4½	¾
TAA15	Dimension	15	4½	¾
TAA18	Dimension	18	4½	¾
TAA21	Dimension	21	4½	¾
TAA24	Dimension	24	4½	¾
TAA30	Dimension	30	4½	¾
TAA36	Dimension	36	4½	¾
TAA42	Dimension	42	4½	¾
TAA48	Dimension	48	4½	¾
TAA60	Dimension	60	4½	¾

- Finished on all sides and edges
- Must be used with Toe Kick Apron Support (TAS)
- Trimmable up to 1½" on each side

PRODUCT SPECIFICATIONS

Fillers - 3" Wall/Base Filler

Model	Description	Width	Height	Depth
F342	Dimension	3	42	3/4

Fillers - 3" Tall Filler

Model	Description	Width	Height	Depth
F396	Dimension	3	96	3/4

Fillers - 3" Fluted Filler

Model	Description	Width	Height	Depth
FF396	Dimension	3	96	3/4

Fillers - 6" Wall/Base Filler

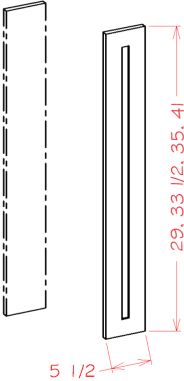
Model	Description	Width	Height	Depth
F642	Dimension	6	42	3/4

Fillers - 6" Tall Filler

Model	Description	Width	Height	Depth
F696	Dimension	6	96	3/4

PRODUCT SPECIFICATIONS

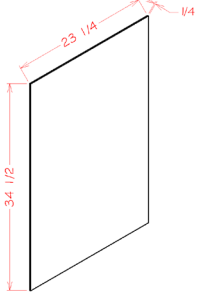
Filler Overlays



Model	Description	Width	Height	Depth
FOL630	Dimension	5½	29	¾
FOL634	Dimension	5½	33½	¾
FOL636	Dimension	5½	35	¾
FOL642	Dimension	5½	41	¾

- Filler overlays have a matching door profile.
- 6" filler required for application (purchased separately)

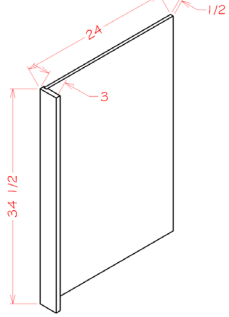
Panels - Base Skin Panel



Model	Description	Width	Height	Depth
BSV	Dimension	23¼	34½	¼

- Only finished on one side

Panels - Dishwasher Return Panel



Model	Description	Width	Height	Depth
DWR3	Dimension	3	34½	24

PRODUCT SPECIFICATIONS

Panels - Base Decorative End Panel

Model	Description	Width	Height	Depth
BDEP	Dimension	23½	29	¾

Panels - Wall Skin Panel

Model	Description	Width	Height	Depth
WSV42	Dimension	15	42	¼

- Only finished on one side

Panels - Wall Decorative End Panel

Model	Description	Width	Height	Depth
WDEP1212	Dimension	11½	11	¾
WDEP1218	Dimension	11½	17	¾
WDEP30	Dimension	11½	29	¾
WDEP36	Dimension	11½	35	¾
WDEP42	Dimension	11½	41	¾

Panels - Utility Skin Panel

Model	Description	Width	Height	Depth
USV2496	Dimension	23 ¼	96	¼

- Only finished on one side

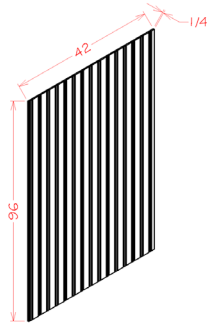
Panels - Long Skin Panel

Model	Description	Width	Height	Depth
FPV4296	Dimension	42	96	¼

- Grain runs long way
- Only finished on one side

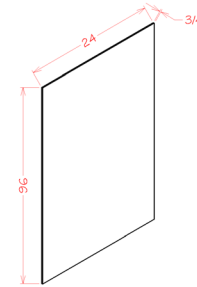
PRODUCT SPECIFICATIONS

Panels - Bead Board Panel



Model	Description	Width	Height	Depth
BBFPV4296	Dimension	42	96	1/4

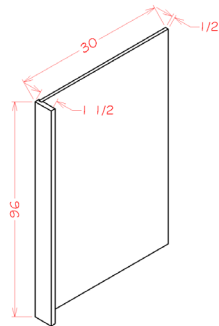
Panels - Finished Shelf Board



Model	Description	Width	Height	Depth
S2496	Dimension	24	96	3/4

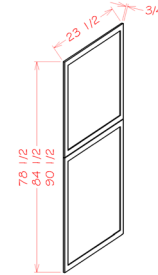
- One long edge banded to match
- Finished on both sides

Panels - Refrigerator End Panel



Model	Description	Width	Height	Depth
REPV3096	Dimension	1 1/2	96	3/4

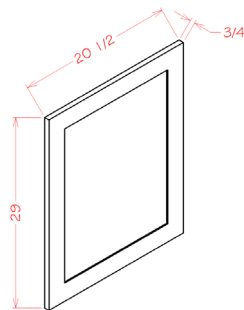
Panels - Tall Decorative End Panel



Model	Description	Width	Height	Depth
TDEP2484	Dimension	23 1/2	78 1/2	30
TDEP2490	Dimension	23 1/2	84 1/2	30
TDEP2496	Dimension	23 1/2	90 1/2	30

- Shaker & Torrance panels have horizontal rail in the center of the bottom panel.

Panels -Vanity Decorative End Panel



Model	Description	Width	Height	Depth
VDEP	Dimension	20 1/2	29	3/4

PRODUCT SPECIFICATIONS

Corbels - Modern Corbel

Model	Description	Width	Height	Depth
MCB	Dimension	3½	12	9

Corbels - Traditional Corbel

Model	Description	Width	Height	Depth
CBT	Dimension	3 1/8	13 1/16	5 7/8

Decorative Legs - Classic Decorative Leg

Model	Description	Width	Height	Depth
CLDL	Dimension	3	34½	3

Decorative Legs - Square Decorative Leg

Model	Description	Width	Height	Depth
SQDL	Dimension	3	34½	3

Bun Feet - Taper Foot

Model	Description	Width	Height	Depth
TF4	Dimension	3	3¾	3

- Must be used with Toe Kick Apron Support (TAS)

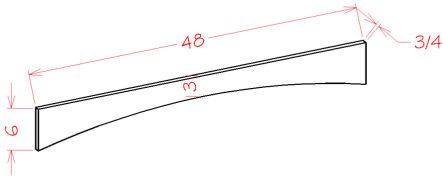
Bun Feet - Circle Foot

Model	Description	Width	Height	Depth
CF4	Dimension	3	3¾	3

- Must be used with Toe Kick Apron Support (TAS)

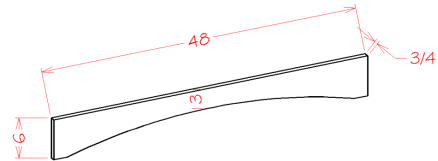
PRODUCT SPECIFICATIONS

Valances - Arched Valance



Model	Description	Width	Height	Depth
VA48	Dimension	48	6	3/4

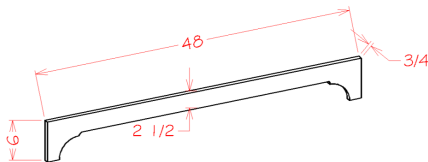
Valances - Shaker Valance



Model	Description	Width	Height	Depth
VASH48	Dimension	48	6	3/4

- Trimmable on each side by 1 1/4"
- Finished on both sides and two long edges

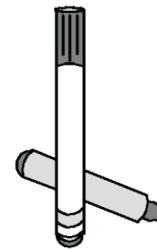
Valances - Crown Valance



Model	Description	Width	Height	Depth
VACR48	Dimension	48	6	3/4

- Trimmable on each side by 1 1/4"
- Finished on both sides and two long edges

Touch Up Kit - TUK



PRODUCT SPECIFICATIONS

Accessories - Base Tray Divider

Model	Description	Width	Height	Depth
B12TDKIT	Dimension	¾	21	22½
B15TDKIT	Dimension	¾	21	22½

- Comes with one divider

Accessories - Base Tray Dividers

Model	Description	Width	Height	Depth
B18TDKIT	Dimension	¾	21	22½

- Comes with two dividers

Roll Out Shelves

Model	Description	Width	Height	Depth
RS18-Type A	Dimension	13¾	3¾	20 ⁷ / ₁₆
RS21-Type A	Dimension	16¾	3¾	20 ⁷ / ₁₆
RS24-Type A	Dimension	19½	3¾	20 ⁷ / ₁₆
RS27-Type A	Dimension	22½	3¾	20 ⁷ / ₁₆
RS30-Type A	Dimension	25¾	3¾	20 ⁷ / ₁₆
RS33-Type A	Dimension	28¾	3¾	20 ⁷ / ₁₆
RS36-Type A	Dimension	31¾	3¾	20 ⁷ / ₁₆

- Glides are side mounted ball bearing with no soft close.

85

Sample Door - SD

Model	Description	Width	Height	Depth
SD	Dimension	11	15	¾